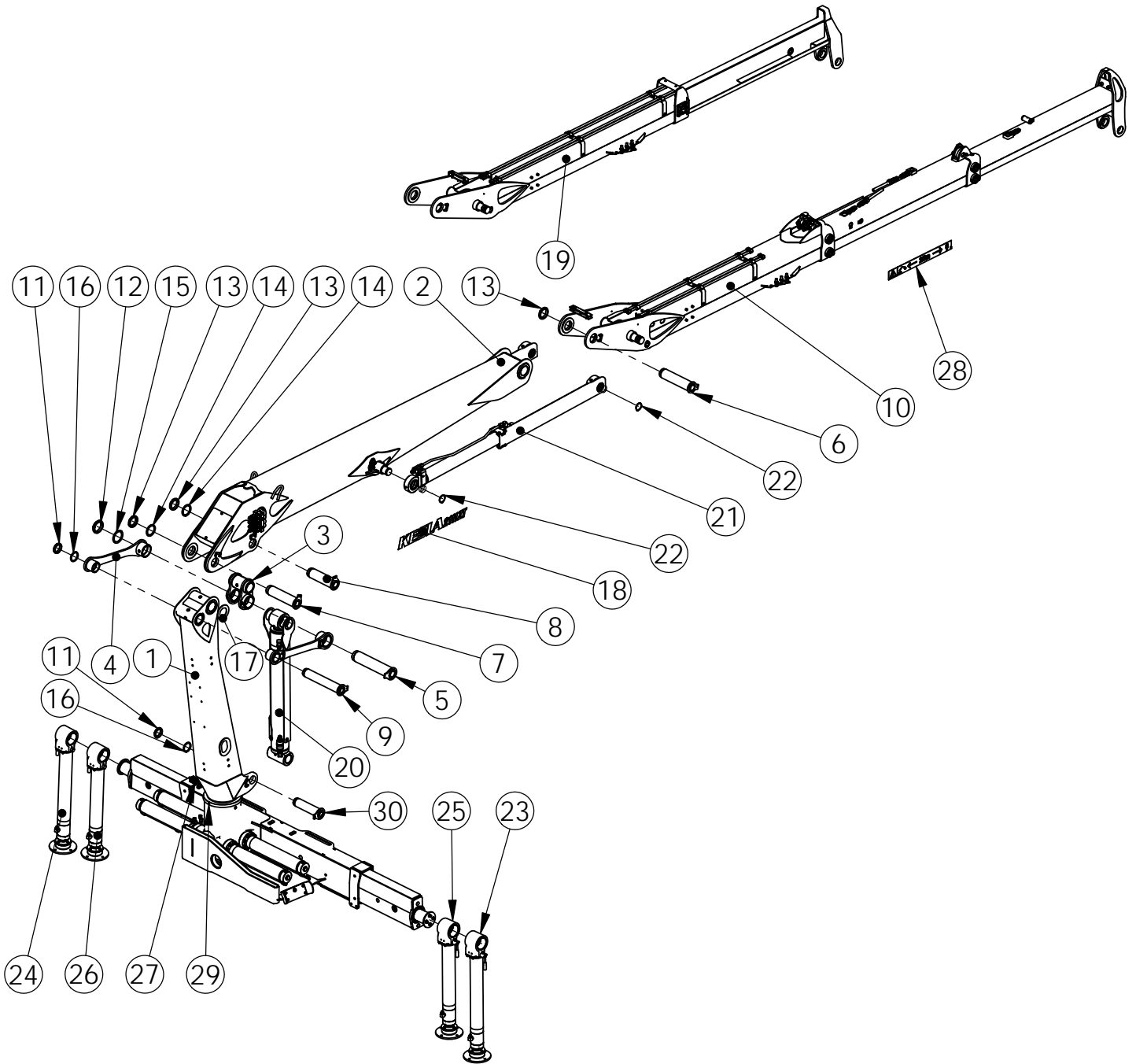


KESLA 2112Z, 2112ZT**Sisällysluettelo\Innehållsförteckning\Contents \Inhaltsverzeichnis**

Päakokoonpano \ Sammansättning \ Final assembly \ Zusammensetzung	2
Käätölaite \ Vridanordning \ Slew mechanism \ Schwenkwerk	4
Tukijalkavarustus \ Stödbensutrustning \ Stabilizers \ Stützfußbausrüstung	14
Tukijalan sylinteri \ Stödbenscylinder \ Stabilizer cylinder \ Stützfußcylinder	16
Nostopuomi \ Lyftbom \ Main lifting boom \ Hubarm	40
Siirtopuomisto 2112Z \ Vipparm 2112Z \ Outer boom 2112Z \ Knickarm 2112Z	42
Siirtopuomisto 2112ZT \ Vipparm 2112ZT \ Outer boom 2112ZT \ Knickarm 2112ZT	46
Nostosylinteri varusteltuna \ Lyftcylinder utrustning \ Accessories for main lifting cylinder \ Ausrüstung für Hubzylinder.....	50
Nostosylinteri \ Lyftcylinder \ Main lifting cylinder \ Hubzylinder.....	52
Siirtosylinteri varusteltuna 1 jatk \ Vippcylinder utrustning \ Accessories for outer boom cylinder \ Ausrüstung für Knickarmzylinder	54
Siirtosylinteri \ Vippcylinder \ Outer boom cylinder \ Knickarmzylinder	56
Jatkeen sylinteri varusteltuna\Utskjutscylinder utrustning \ Accessories for Extension cylinder \ Ausrüstung für Ausschubzylinder \ 2112Z	58
Jatkeen sylinteri \Utskjutscylinder \ Extension cylinder \ Ausschubzylinder \ 2112Z	60
Jatkeen sylinteri \Utskjutscylinder \ Extension cylinder \ Ausschubzylinder \ 2112ZT	62
Tukijalkojen levityssylinteri \ Spridningscylinder \ Spreading cylinder \ Ausshubzylinder für Stützfüsse.....	64

90026643
2112Z/ZT





SPARE PART LIST

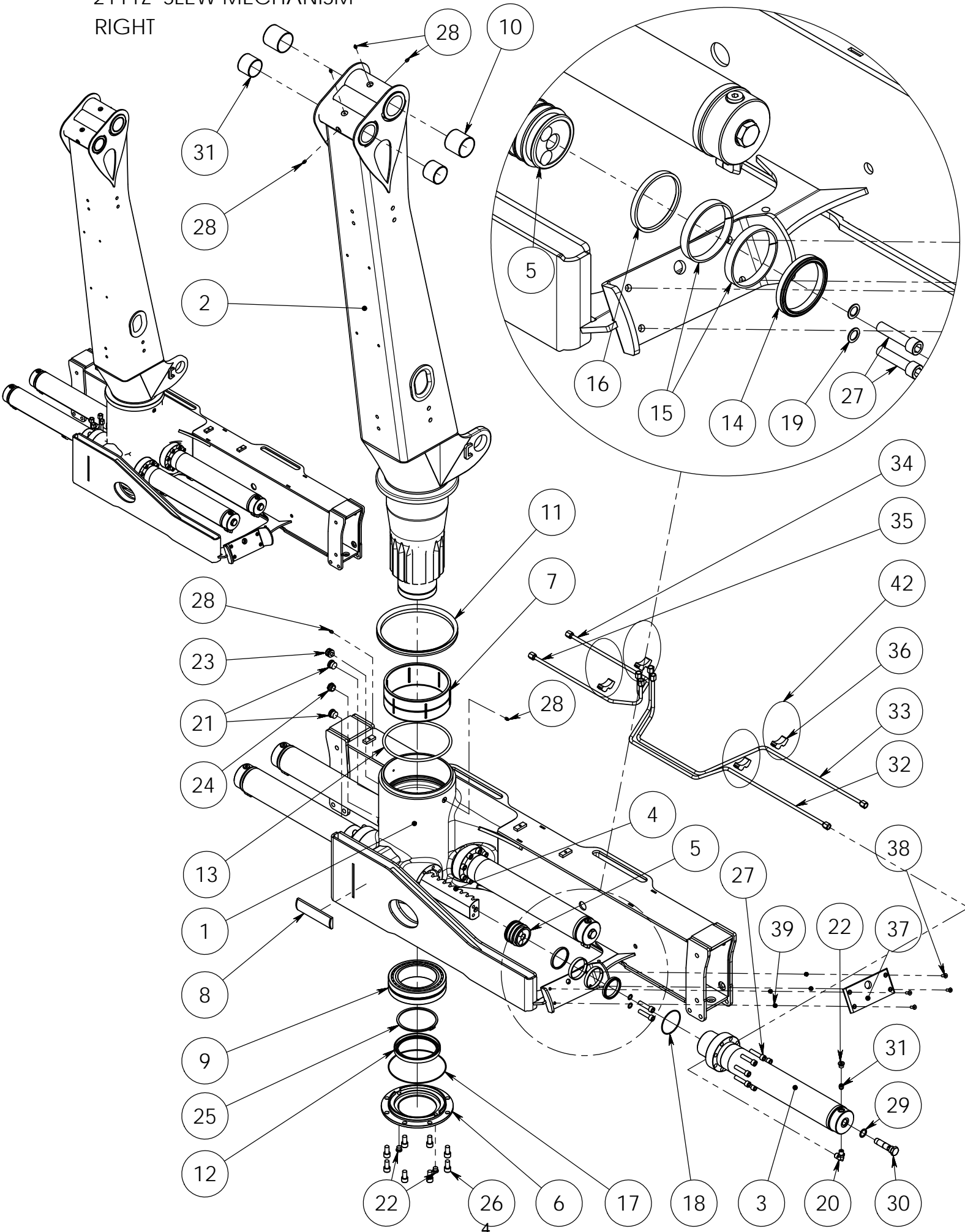
Item code	90026643	Revision	-
Title	CRANE	Date	27.09.2013
Specification	2112ZT		

Pos	Item code	Title	Specification	Pc	Nto Weight
1	90024282	STABILIZER	VAR	1	111.62
2	90024332	LIFT BOOM	3620 RIGHT VAR	1	320.89
3	90024300	DRAW BAR	VAR	1	11.24
4	90024301	LINK	L= 595 HITS+KON	2	8.8
5	90021059	AXLE	90-437 HITS	1	15.15
6	90018761	AXLE	80/M75X2 -352	1	9.51
7	90015226	AXLE	80/M75-333	1	8.96
8	90020764	AXLE	80/M75X2-300	1	8.07
9	90024305	AXLE	70/M65X2-433	1	9.75
10	90023241	OUTER BOOM	L=6200 2-JATK	1	409.81
11	3020157	NUT	KM13 NYLOC M65X2.0	2	0.26
12	3020177	NUT	KM17 NYLOC M85X2	1	0.44
13	3020158	NUT	KM15 NYLOC M75X2	3	0.35
14	90013697	WASHER	100/81-6	2	0.13
15	90020815	WASHER	112/91-6	1	0.16
16	90016000	WASHER	85/71-6	2	0.08
17	90010011	BEARING	130/80.5 - 5	2	0.05
18	3281513	DECAL	KESLA 2111ZT	2	0.06
19	90024434	OUTER BOOM	L= 4700 1 - JATK	1	313.43
20	90025997	CYLINDER	130/80 X 972 NOSTOSYLINTERI 2112Z	1	103.68
21	90025694	CYLINDER	90/70X880 TUBE VAR	2	70.16
22	3060098	SNAP RING	60X3 DIN 471 AS	4	0
23	90025611	STABILIZER	90/70X620 LEFT (ADJUSTABLE FOOT)	1	66.16
24	90025610	STABILIZER	90/70X620 RIGHT (ADJUSTABLE FOOT)	1	66.16
25	90025609	STABILIZER	90/70X520 LEFT (ADJUSTABLE FOOT)	1	62.42
26	90025608	STABILIZER	90/70X520 RIGHT (ADJUSTABLE FOOT)	1	62.42
27	3281642	PLATE	120X45 CE	1	0.03
28	3281135	DECAL	VAARA-ALUE 25 M, 730X80	2	0.1
29	3281523	DECAL (INSTRUCTION)	"KUOLLUT PISTE"	1	0
30	90015998	AXLE	70/M65X2-298 HITS	1	6.75

90024199

2111Z SLEW MECHANISM

RIGHT



Item code	90024199	Revision	C
Title	SLEW MECHANNISM	Date	11.01.2011
Specification	23KNM RIGHT		

Pos	Item code	Title	Specification	Pc	Nto Weight
1	90024638	SLEW MECHANNISM	RUNKO OIKEA HITS	1	308.95
2	90024140	PILLAR	L=2480 HITS + KON	1	290.01
3	90024152	CYLINDER	105/90-762	4	17.37
4	90025435	RACK BAR		2	19.93
5	90024154	PISTON	90-67	4	2.14
6	90021820	FLANGE	280/150-28	1	4
7	90012821	BEARING	260/240-100	1	0.88
8	90025436	BUSHING	50X189	2	0.15
9	3100331	ROLLER BEARING	23030CC/W33	1	7.45
10	3100187	BUSHING	WB 802 8080	2	0.41
11	3110930	SEAL	VA-300	1	1.63
12	3110565	SHAFT SEAL	150X180X15 RST	1	0.5
13	3110938	SEAL	OR 250X10 70SHORE	1	0.5
14	3110636	PISTON SEAL	B7 90/75X12	4	0.16
15	3110637	PISTON GUIDE	E/PWR 90/84X13	8	0.08
16	3110638	WIPER SEAL	PPW 90/81.4X5.3	4	0.05
17	3110771	O-RING	219.5X3.0 70 SHORE	1	0.04
18	3110639	O-RING	96X3.0 70 SHORE	4	0.02
19	3030080	WASHER	M14	8	0
20	3090630	CONNECTOR (ANGLE)	6310-06-08	4	0.1
21	3090209	PLUG		2	0.08
22	3090210	PLUG		6	0.03
23	3091042	BREATHER		1	0.11
24	3090294	OIL LEVEL INDICATOR		1	0.01
25	3060076	SNAP RING	AS 150X4 DIN 471	1	0
26	3010700	ALLEN SCREW	M16X30 8.8 ZN DIN 912	8	0
27	3010601	ALLEN SCREW	M14X60 12.9 DIN 912	40	0
28	3050003	GREASE NIPPLE	M8X1,25 DIN 71412	6	0
29	3110130	USIT-SEAL	R-12 R 3/4"	4	0.01
30	90023662	DAMPER	D=21,8	4	
31	3120363	CHECK VALVE		4	0.02
32	3100185	BUSHING	WB 802 7060	2	0.27
33	90024395	HYDRAULIC PIPE	1 RIGHT	1	0.64
34	90024393	HYDRAULIC PIPE	2 RIGHT	1	0.66
35	90024391	HYDRAULIC PIPE	4 RIGHT	1	0.33
36	90024389	HYDRAULIC PIPE	3 RIGHT	1	0.33

Item code	90024199	Revision	C
Title	SLEW MECHANNISM	Date	11.01.2011
Specification	23KNM RIGHT		

Pos	Item code	Title	Specification	Pc	Nto Weight
37	3090928	FASTENER		4	0.22
38	90018948	GLIDE PAD	100 X 220	1	0.22
39	3010300	ALLEN SCREW	M8X25 10.9 ZN DIN 7991	4	0
40	3020001	NUT	M8 ZN DIN 985	4	0.01
41	3090409	TENSIONER		4	
42	3110640	SEAL KIT	90	1	0

Item code	90026258	Revision	-
Title	SLEW MECHANISM	Date	18.03.2013
Specification	LEFT STANDARD COLUMN		

Pos	Item code	Title	Specification	Pc	Nto Weight
1	90024617	SLEW MECHANISM	RUNKO VASEN HITS	1	309.48
2	90024140	PILLAR	L=2480 HITS + KON	1	267.39
3	90024152	CYLINDER	105/90-762	4	17.37
4	90025435	RACK BAR		2	19.93
5	90024154	PISTON	90-67	4	2.14
6	90021820	FLANGE	280/150-28	1	4
7	90012821	BEARING	260/240-100	1	0.88
8	90025436	BUSHING	15,8X50-189	2	0.15
9	3100331	ROLLER BEARING	23030CC/W33	1	7.45
10	3100187	BUSHING	WB 802 8080	2	0.41
11	3110930	SEAL	VA-300	1	1.63
12	3110565	SHAFT SEAL	150X180X15 RST	1	0.5
13	3110938	SEAL	OR 250X10 70SHORE	1	0.5
14	3110636	PISTON SEAL	B7 90/75X12	4	0.16
15	3110637	PISTON GUIDE	E/PWR 90/84X13	8	0.08
16	3110638	WIPER SEAL	PPW 90/81.4X5.3	4	0.05
17	3110771	O-RING	219.5X3.0 70 SHORE	1	0.04
18	3110639	O-RING	96X3.0 70 SHORE	4	0.02
19	3030080	WASHER	M14	8	0
20	3090630	CONNECTOR (ANGLE)	6310-06-08	4	0.1
21	3090209	PLUG		2	0.08
22	3090210	PLUG		6	0.03
23	3091042	BREATHER		1	0.11
24	3090294	OIL LEVEL INDICATOR		1	0.01
25	3060076	SNAP RING	AS 150X4 DIN 471	1	0
26	3010700	ALLEN SCREW	M16X30 8.8 ZN DIN 912	8	0
27	3010601	ALLEN SCREW	M14X60 12.9 DIN 912	40	0
28	3050003	GREASE NIPPLE	M8X1,25 DIN 71412	6	0
29	3110130	USIT-SEAL	R-12 R 3/4"	4	0.01
30	90023662	DAMPER	D=21,8	4	0.31
31	3120363	CHECK VALVE		4	0.02
32	3100185	BUSHING	WB 802 7060	2	0.27
33	90024729	HYDRAULIC PIPE	1 LEFT	1	0.64
34	90024731	HYDRAULIC PIPE	2 LEFT	1	0.66
35	90024734	HYDRAULIC PIPE	4 LEFT	1	0.33
36	90024736	HYDRAULIC PIPE	3 LEFT	1	0.33

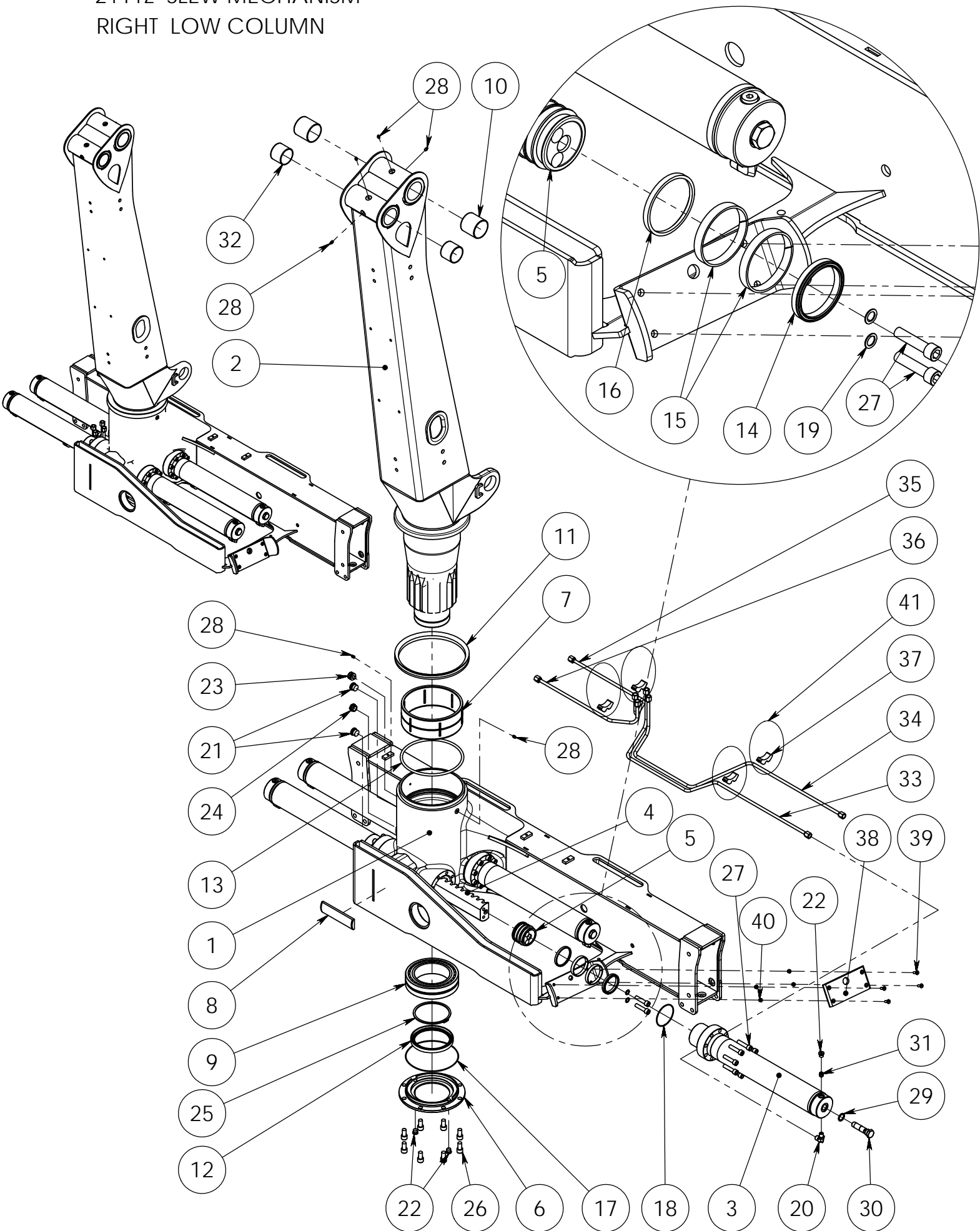
Item code	90026258	Revision	-
Title	SLEW MECHANISM	Date	18.03.2013
Specification	LEFT STANDARD COLUMN		

Pos	Item code	Title	Specification	Pc	Nto Weight
37	3090928	FASTENER		4	0.22
38	90018948	GLIDE PAD	100 X 220	1	0.22
39	3010300	ALLEN SCREW	M8X25 10.9 ZN DIN 7991	4	0
40	3020001	NUT	M8 ZN DIN 985	4	0.01
41	3090409	TENSIONER		4	
42	3110640	SEAL KIT	90	1	0

90026265

2111Z SLEW MECHANISM

RIGHT LOW COLUMN

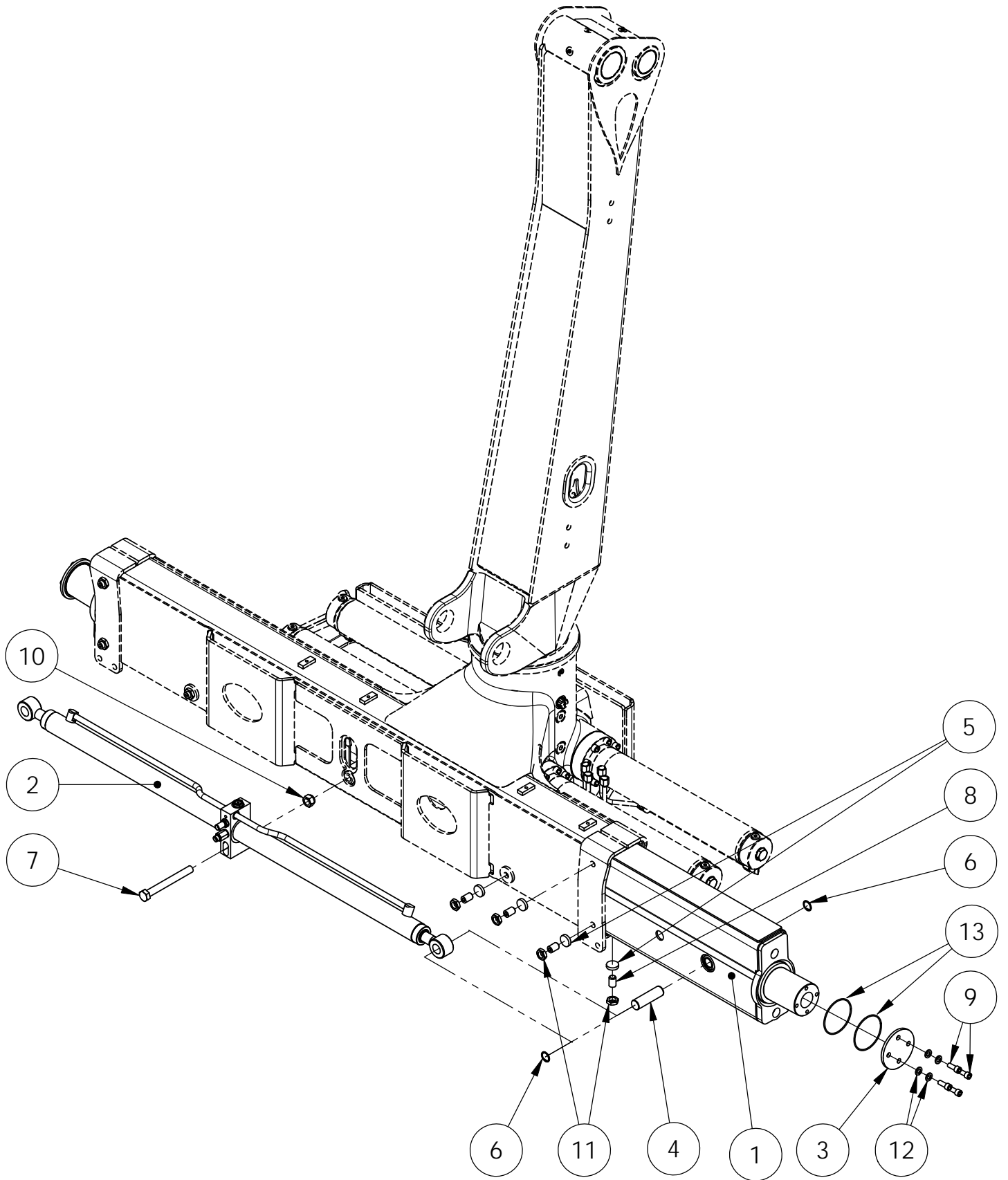


Item code	90026265	Revision	-
Title	SLEW MECHANISM	Date	26.03.2013
Specification	RIGHT LOW COLUMN		

Pos	Item code	Title	Specification	Pc	Nto Weight
1	90024638	SLEW MECHANISM	RUNKO OIKEA HITS	1	309.48
2	90024636	PILLAR	L=2380 HITS + KON	1	261.29
3	90024152	CYLINDER	105/90-762	4	17.37
4	90025435	RACK BAR		2	19.93
5	90024154	PISTON	90-67	4	2.14
6	90021820	FLANGE	280/150-28	1	4
7	90012821	BEARING	260/240-100	1	0.88
8	90025436	BUSHING	15,8X50-189	2	0.15
9	3100331	ROLLER BEARING	23030CC/W33	1	7.45
10	3100187	BUSHING	WB 802 8080	2	0.41
11	3110930	SEAL	VA-300	1	1.63
12	3110565	SHAFT SEAL	150X180X15 RST	1	0.5
13	3110938	SEAL	OR 250X10 70SHORE	1	0.5
14	3110636	PISTON SEAL	B7 90/75X12	4	0.16
15	3110637	PISTON GUIDE	E/PWR 90/84X13	8	0.08
16	3110638	WIPER SEAL	PPW 90/81.4X5.3	4	0.05
17	3110771	O-RING	219.5X3.0 70 SHORE	1	0.04
18	3110639	O-RING	96X3.0 70 SHORE	4	0.02
19	3030080	WASHER	M14	8	0
20	3090630	CONNECTOR (ANGLE)	6310-06-08	4	0.1
21	3090209	PLUG		2	0.08
22	3090210	PLUG		6	0.03
23	3091042	BREATHER		1	0.11
24	3090294	OIL LEVEL INDICATOR		1	0.01
25	3060076	SNAP RING	AS 150X4 DIN 471	1	0
26	3010700	ALLEN SCREW	M16X30 8.8 ZN DIN 912	8	0
27	3010601	ALLEN SCREW	M14X60 12.9 DIN 912	40	0
28	3050003	GREASE NIPPLE	M8X1,25 DIN 71412	6	0
29	3110130	USIT-SEAL	R-12 R 3/4"	4	0.01
30	90023662	DAMPER	D=21,8	4	0.31
31	3120363	CHECK VALVE		4	0.02
32	3100185	BUSHING	WB 802 7060	2	0.27
33	90024395	HYDRAULIC PIPE	1 RIGHT	1	0.64
34	90024393	HYDRAULIC PIPE	2 RIGHT	1	0.66
35	90024391	HYDRAULIC PIPE	4 RIGHT	1	0.33
36	90024389	HYDRAULIC PIPE	3 RIGHT	1	0.33

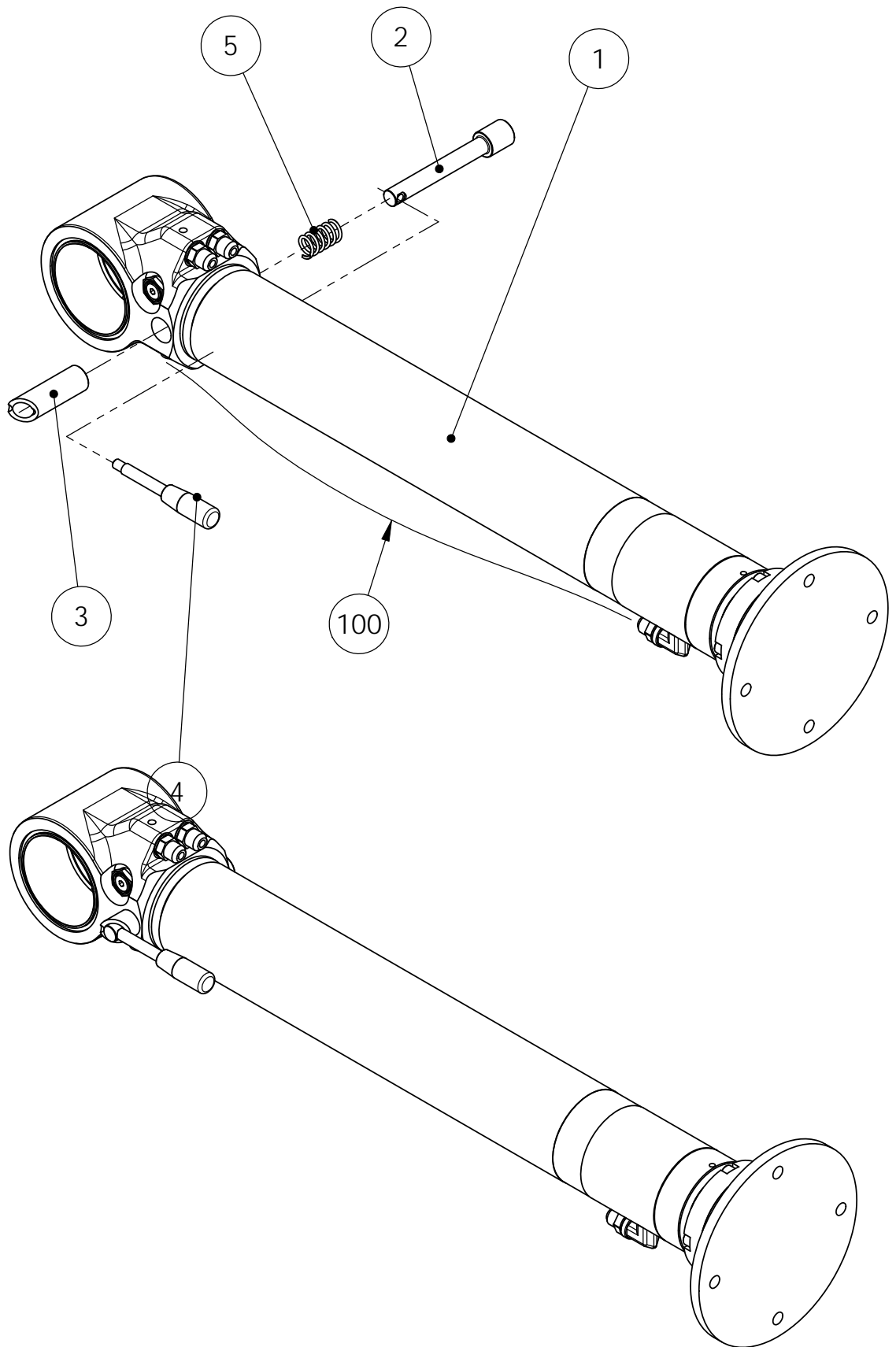
Item code	90026265	Revision	-
Title	SLEW MECHANISM	Date	26.03.2013
Specification	RIGHT LOW COLUMN		

Pos	Item code	Title	Specification	Pc	Nto Weight
37	3090928	FASTENER		4	0.22
38	90018948	GLIDE PAD	100 X 220	1	0.22
39	3010300	ALLEN SCREW	M8X25 10.9 ZN DIN 7991	4	0
40	3020001	NUT	M8 ZN DIN 985	4	0.01
41	3090409	TENSIONER		4	
42	3110640	SEAL KIT	90	1	0



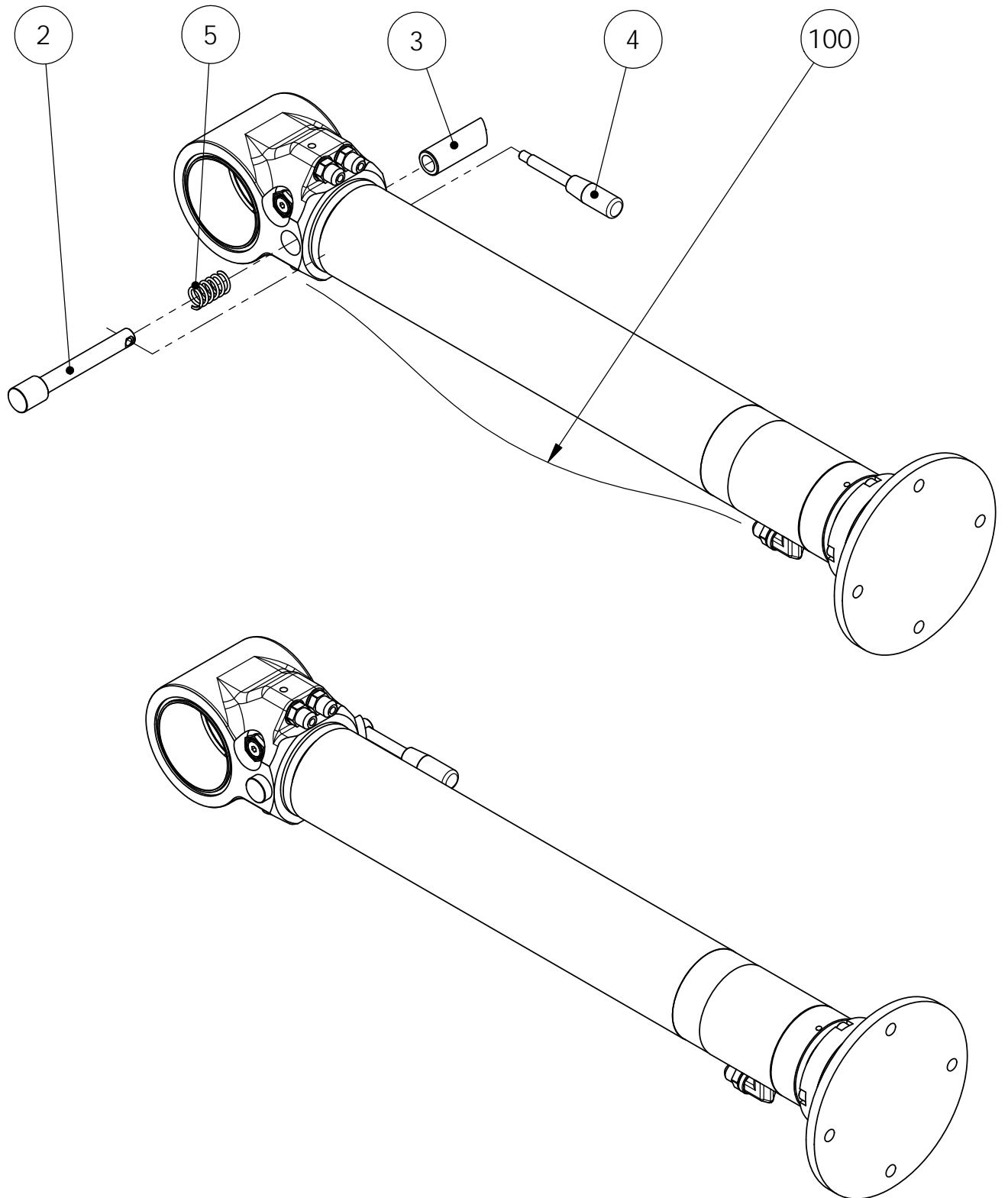
Item code	90024282	Revision	-
Title	STABILIZER	Date	18.01.2011
Specification	VAR		

Pos	Item code	Title	Specification	Pc	Nto Weight
1	90024270	CONTROL ARM	HITS	2	45.79
2	28862001	CYLINDER	50/30X2X600	1	8.36
3	90011250	FLANGE	125 - 8	2	0.73
4	90013050	AXLE	30-102	2	0.57
5	90020807	GLIDE PAD	35 - 8	8	0.01
6	3060019	SNAP RING	30 DIN 472	4	0
7	3010224	HEW SCREW	M20X180 8.8 ZN DIN 931	1	0
8	3010312	ALLEN SCREW	M20X30 10.9 ZN DIN 913	8	0
9	3010246	ALLEN SCREW	M12X30 8.8 ZN DIN 912	8	0
10	3020009	NUT	M20 ZN DIN 985	1	0.07
11	3020014	NUT	M20 ZN DIN 936	8	0
12	3030047	WASHER	M12/13 ZN DIN 126	8	0.01
13	3110259	O-RING	104.5X3 90 SHORE	4	0.02



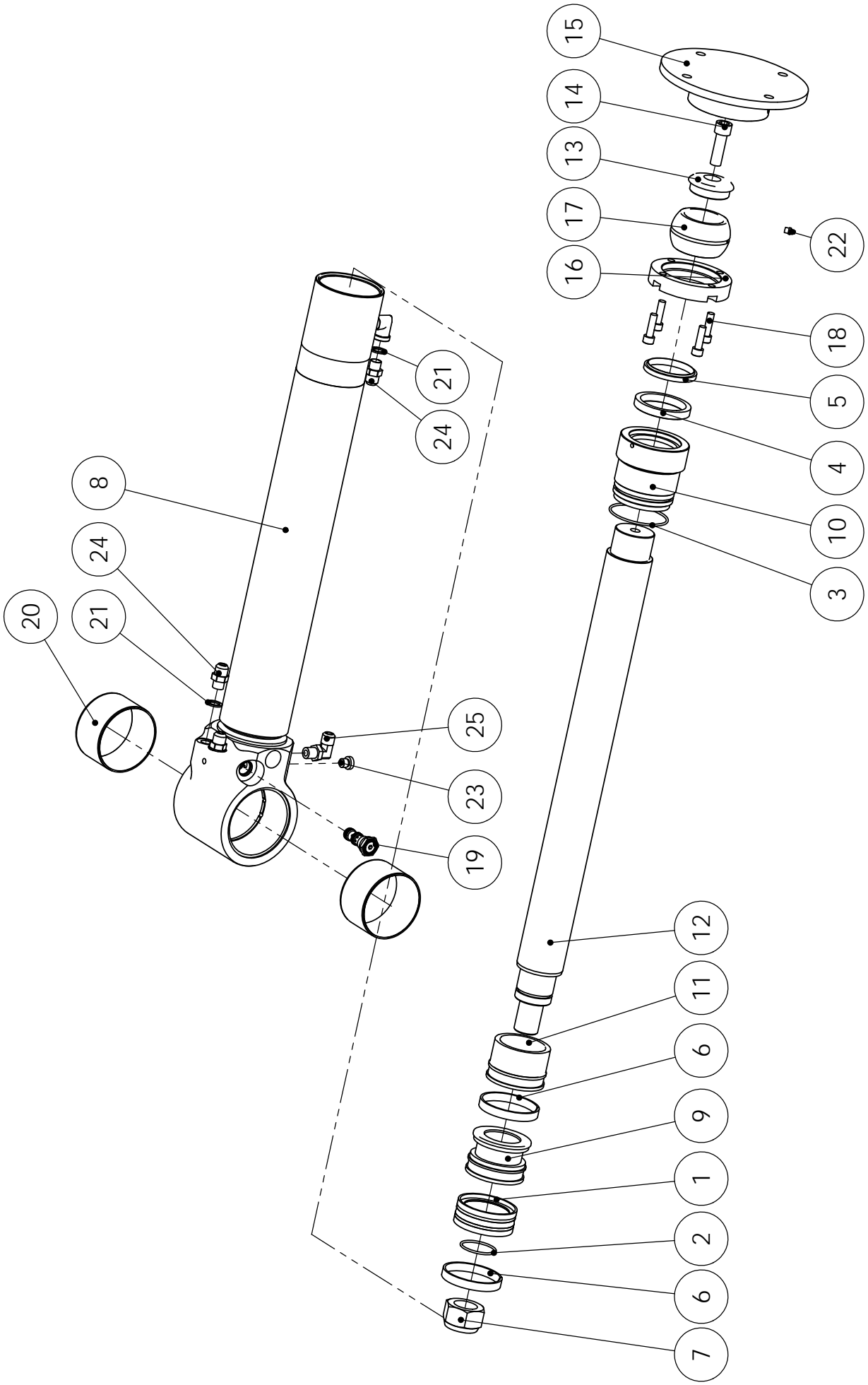
Item code	90024396	Revision	-
Title	STABILIZER	Date	16.03.2011
Specification	90/70X500 RIGHT		

Pos	Item code	Title	Specification	Pc	Nto Weight
1	28865001	CYLINDER	90/70X500	1	62.82
2	28861308	SPINDLE	28/18	1	0.41
3	28861108	SLEEVE		1	0.22
4	3301574	LEVER	GN 310-12-125-E-NI M10	1	0.03
5	3300533	SPRING	18/45/7.6/6.88 -1643 SF-TF3	1	0.02
100	3132962	HYDRAULIC HOSE	A50005-06-06/241T-06/A50005-06-06/L=630/ TEX	1	



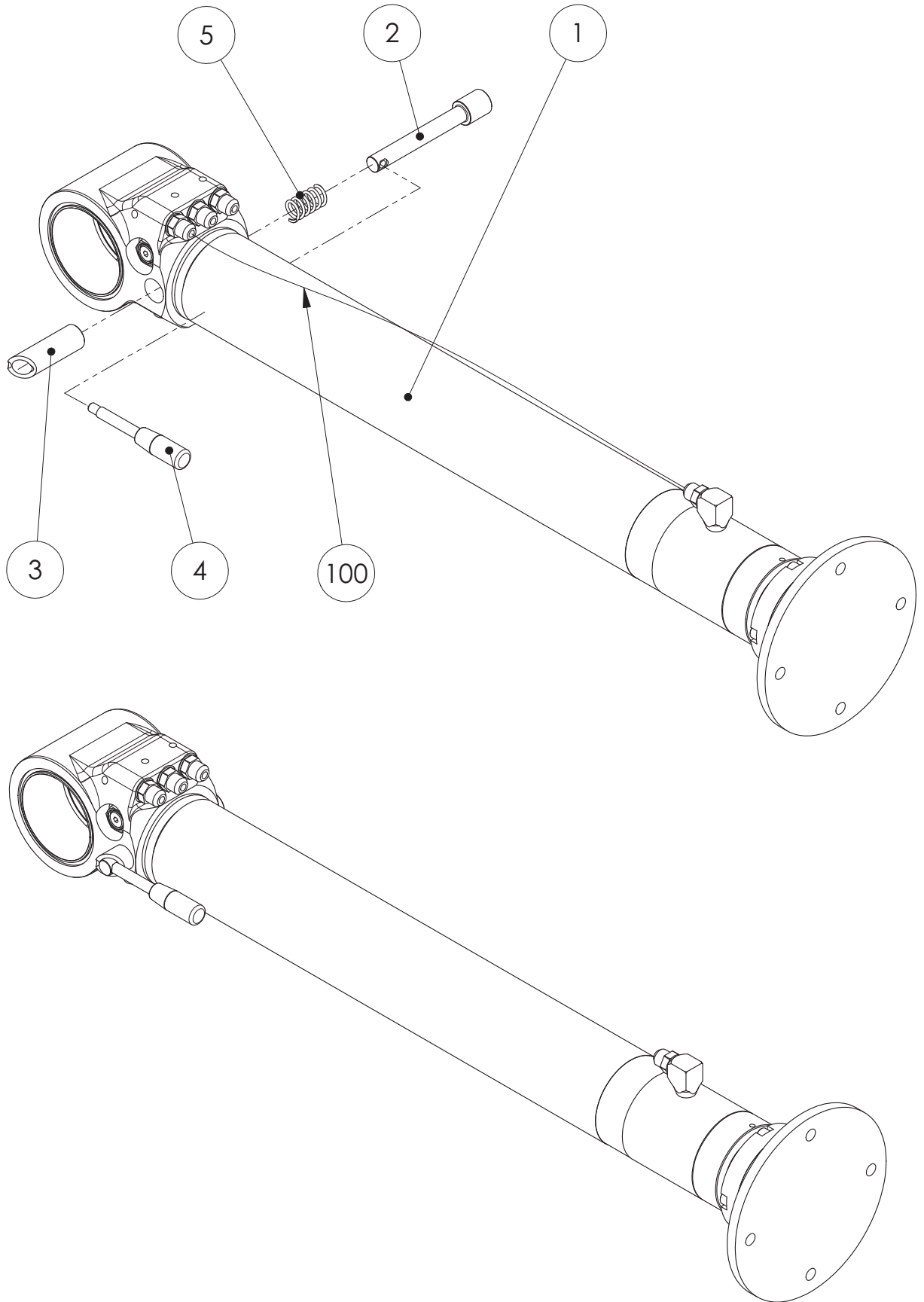
Item code	90024397	Revision	-
Title	STABILIZER	Date	16.03.2011
Specification	90/70X500 LEFT		

Pos	Item code	Title	Specification	Pc	Nto Weight
1	28865001	CYLINDER	90/70X500	1	62.82
2	28861308	SPINDLE	28/18	1	0.41
3	28861108	SLEEVE		1	0.22
4	3301574	LEVER	GN 310-12-125-E-NI M10	1	0.03
5	3300533	SPRING	18/45/7.6/6.88 -1643 SF-TF3	1	0.02
100	3132962	HYDRAULIC HOSE	A50005-06-06/241T-06/A50005-06-06/L=630/ TEX	1	



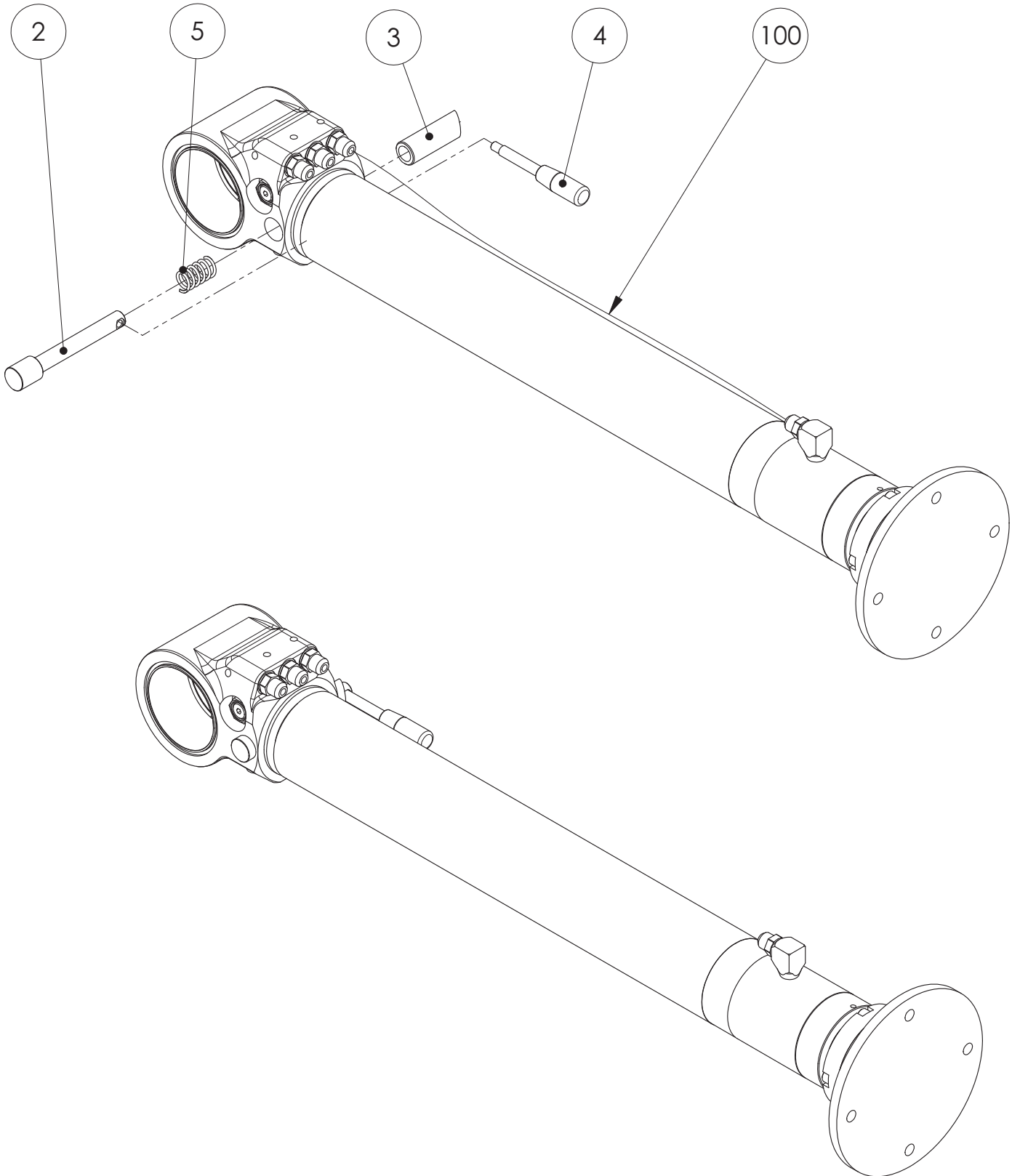
Item code	28865001	Revision	-
Title	CYLINDER	Date	08.06.2011
Specification	90/70X500		

Pos	Item code	Title	Specification	Pc	Nto Weight
1	3110025	PISTON SEAL	DAS 90/70X22	1	0.5
2	3110278	O-RING	49.5X3.0 90 SHORE	1	0.01
3	3110017	O-RING	84.5X3 90 SHORE	2	0.02
4	3110184	ROD SEAL	B 70/85X12 POLYPAC BALSELE	1	0.17
5	3110196	WIPER SEAL	GA 70/80X7/10	1	0.07
6	3110397	PISTON GUIDE	E/PWR 90/84X13	2	0.08
7	3020043	NUT	M36X3 ZN DIN 985	1	0.42
8	28865101	CYLINDER BARREL	90/70X500	1	25.22
9	28554201	PISTON	D=90 DBM	1	1.34
10	28358202	GUIDANCE	90/70	1	2.43
11	28554105	SLEEVE	ISKURAJOITINHOLKKI	1	0.96
12	28865302	PISTON ROD	70-803	1	22.17
13	28861401	COVER	LAAKERIN KANSI	1	0.44
14	3010301	ALLEN SCREW	M16X50 12.9 DIN 912	1	0
15	28861106	BASE		1	5.55
16	28861107	COVER		1	0.97
17	3100428	BEARING	NIVELLAAKERIN PALLO GEF 60 ES	1	1.14
18	3010193	ALLEN SCREW	M10X35 8.8 ZN DIN 912	4	0
19	3120843	VALVE		1	0.13
20	3100344	BUSHING	WB 802 10060	2	0.38
21	3110040	SEAL	R-06 R 3/8"	3	0
22	3050003	GREASE NIPPLE	M8X1,25 DIN 71412	4	0
23	3090211	PLUG		1	0.02
24	3090604	CONNECTOR	6010-06-08	3	0.07
25	3090630	CONNECTOR (ANGLE)	6310-06-08	1	0.11
1-6	3110430	SEAL KIT	90/70	1	



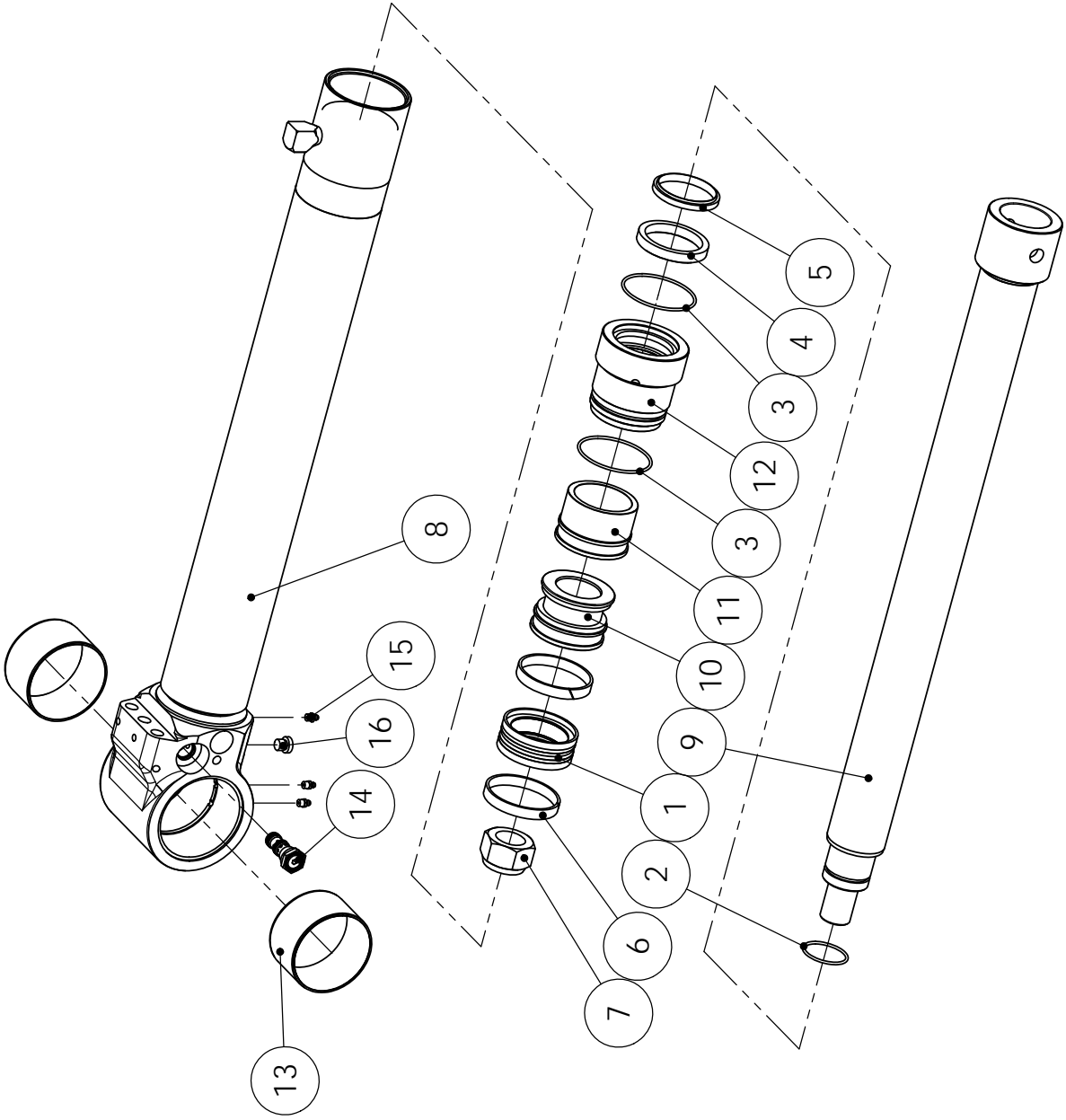
Item code	90024381	Revision	-
Title	STABILIZER	Date	14.03.2011
Specification	90/70X600 RIGHT		

Pos	Item code	Title	Specification	Pc	Nto Weight
1	28861001	CYLINDER	90/70X600	1	68.25
2	28861308	SPINDLE	28/18-164.5	1	0.41
3	28861108	SLEEVE		1	0.22
4	3301574	LEVER	GN 310-12-125-E-NI M10	1	0.03
5	3300533	SPRING	18/45/7.6/6.88 -1643 SF-TF3	1	0.02
100	3132961	HYDRAULIC HOSE	A50005-06-06/241T-06/A50005-06-06S/L=730/TEX	1	



Item code	90024382	Revision	-
Title	STABILIZER	Date	14.03.2011
Specification	90/70X600 LEFT		

Pos	Item code	Title	Specification	Pc	Nto Weight
1	28861001	CYLINDER	90/70X600	1	68.25
2	28861308	SPINDLE	28/18-164.5	1	0.41
3	28861108	SLEEVE		1	0.22
4	3301574	LEVER	GN 310-12-125-E-NI M10	1	0.03
5	3300533	SPRING	18/45/7.6/6.88 -1643 SF-TF3	1	0.02
100	3132961	HYDRAULIC HOSE	A50005-06-06/241T-06/A50005-06-06S/L=730/TEX	1	



28861001 SYLINTERI

VARAOSAT \ RESERVDELAR \ SPARE PARTS \ ERSATZTEIL

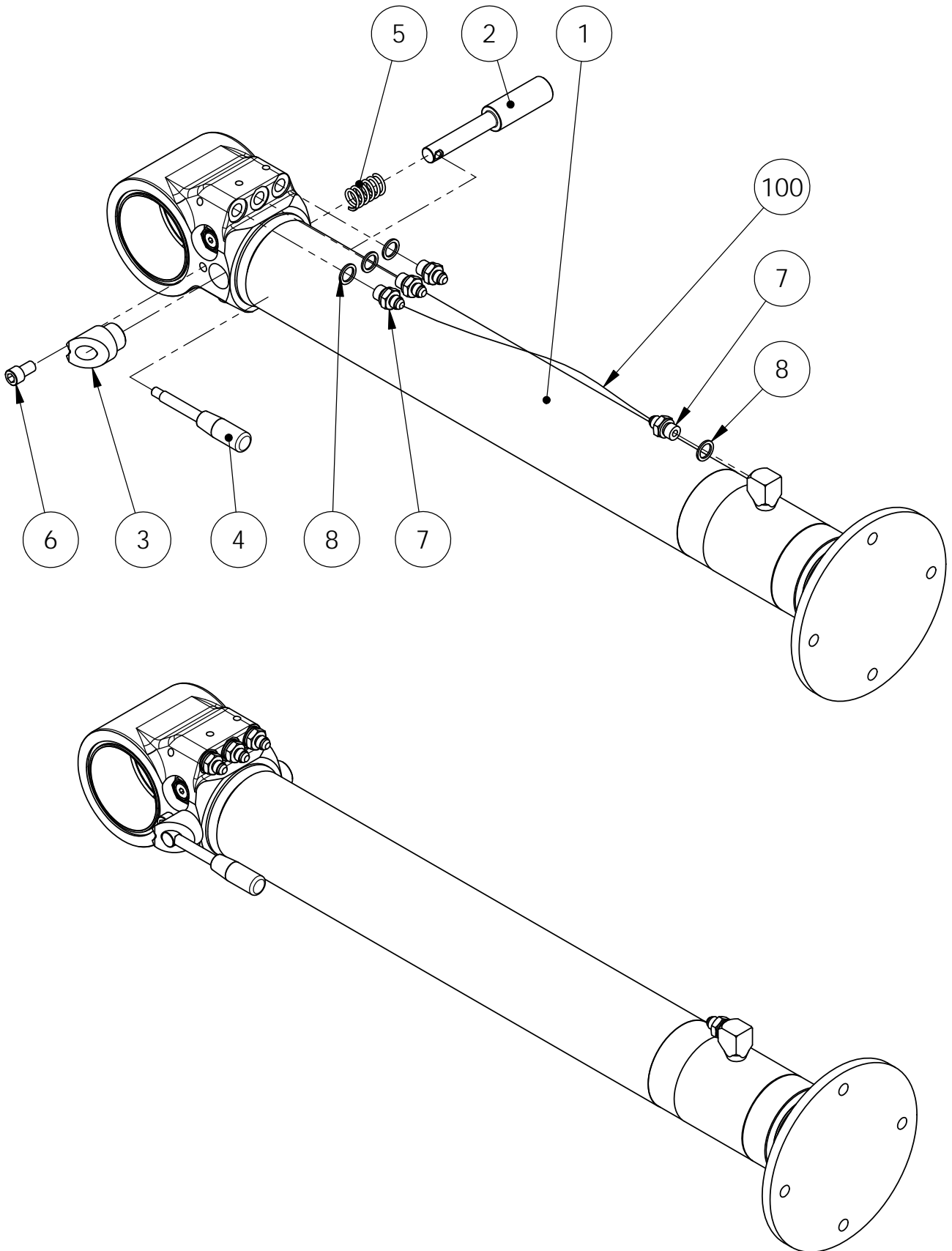


SPARE PART LIST

Item code	28861001	Revision	-
Title	CYLINDER	Date	29.08.2013
Specification	90/70X600		

Pos	Item code	Title	Specification	Pc	Nto Weight
1	3110025	PISTON SEAL	DAS 90/70X22	1	0.5
2	3110278	O-RING	49.5X3.0 90 SHORE	1	0.01
3	3110017	O-RING	84.5X3 90 SHORE	2	0.02
4	3110184	ROD SEAL	B 70/85X12 POLYPAC BALSELE	1	0.17
5	3110196	WIPER SEAL	GA 70/80X7/10	1	0.07
6	3110397	PISTON GUIDE	E/PWR 90/84X13	2	0.08
7	3020043	NUT	M36X3 ZN DIN 985	1	0.42
8	28861101	CYLINDER BARREL	90/70X600	1	32.54
9	28792204	PISTON ROD	90/70 X 600	1	1.67
10	28554201	PISTON	D=90 DBM	1	1.34
11	28554105	SLEEVE	ISKURAJOITINHOLKKI	1	0.96
12	28358202	GUIDANCE	90/70	1	2.42
13	3100344	BUSHING	WB 802 10060	2	0.38
14	3120843	VALVE		1	0.13
15	3050003	GREASE NIPPLE	M8X1,25 DIN 71412	3	0
16	3090211	PLUG		1	0.02
1-6	3110430	SEAL KIT	90/70	1	

90025603
90/70x620 RIGHT (FIXED FOOT)

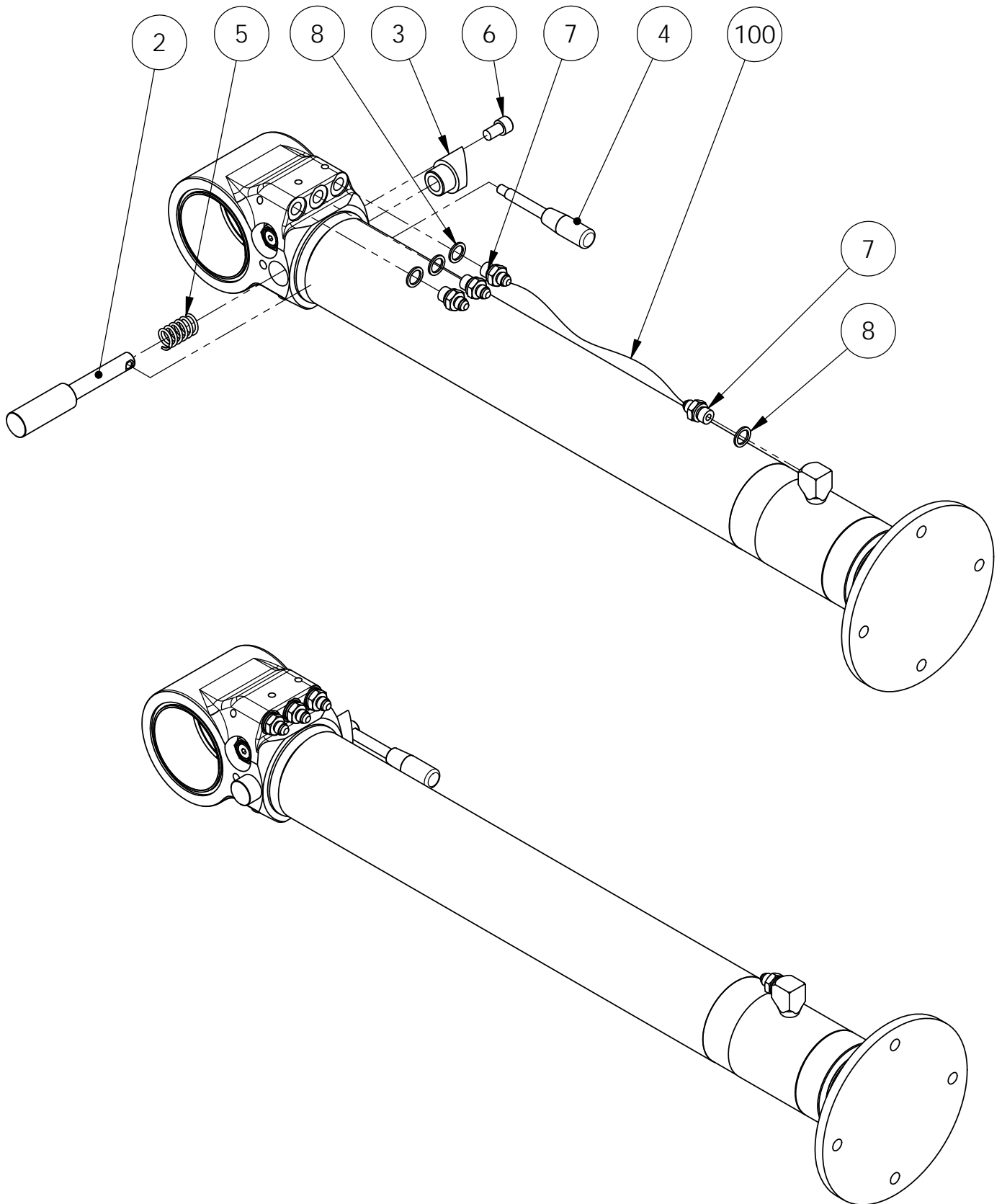


Item code	90025603	Revision	-
Title	STABILIZER	Date	18.06.2012
Specification	90/70X620 RIGHT (FIXED FOOT)		

Pos	Item code	Title	Specification	Pc	Nto Weight
1	28919001	CYLINDER	90/70X620	1	62.12
2	90025017	SPINDLE	30/18-179	1	0.63
3	90025018	SLEEVE		1	0.26
4	3301574	LEVER	GN 310-12-125-E-NI M10	1	0.03
5	3300533	SPRING	18/45/7.6/6.88 -1643 SF-TF3	1	0.02
6	3010604	ALLEN SCREW	M12X20 8.8 DIN 912	1	0
7	3090901	CONNECTOR	6010-06-06	4	0.05
8	3110040	USIT-SEAL	R-06 R 3/8"	4	0
100	3132961	HYDRAULIC HOSE	A50005-06-06/241T-06/A50005-06-06S/L=730/TEX	1	

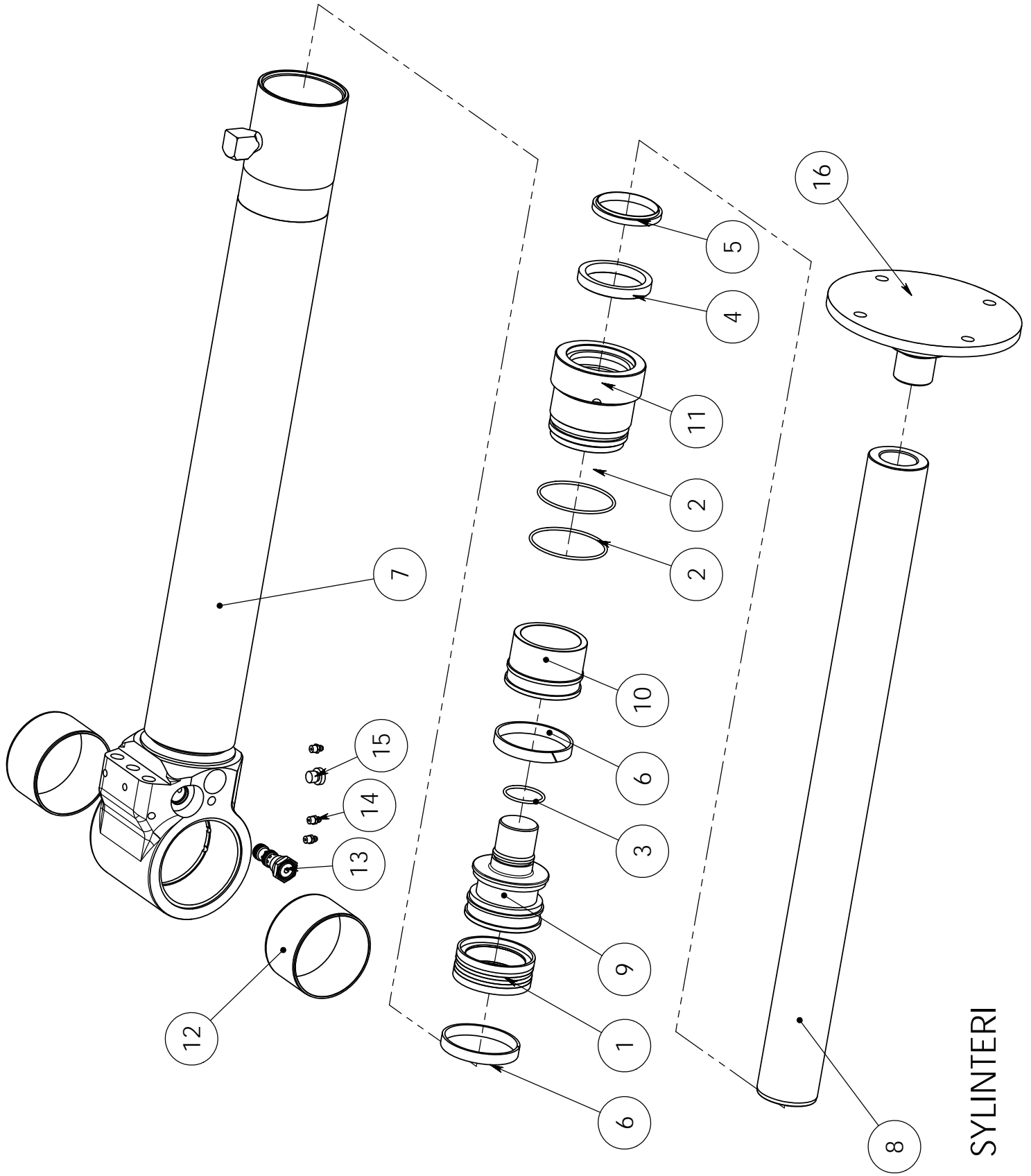
90025604

90/70x620 LEFT (FIXED FOOT)



Item code	90025604	Revision	-
Title	STABILIZER	Date	18.06.2012
Specification	90/70X620 LEFT (FIXED FOOT)		

Pos	Item code	Title	Specification	Pc	Nto Weight
1	28919001	CYLINDER	90/70X620	1	62.12
2	90025017	SPINDLE	30/18-179	1	0.63
3	90025018	SLEEVE		1	0.26
4	3301574	LEVER	GN 310-12-125-E-NI M10	1	0.03
5	3300533	SPRING	18/45/7.6/6.88 -1643 SF-TF3	1	0.02
6	3010604	ALLEN SCREW	M12X20 8.8 DIN 912	1	0
7	3090901	CONNECTOR	6010-06-06	4	0.05
8	3110040	USIT-SEAL	R-06 R 3/8"	4	0
100	3132961	HYDRAULIC HOSE	A50005-06-06/241T-06/A50005-06-06S/L=730/TEX	1	



28919001 SYLINTERI

VARAOSAT \ RESERVDELAR \ SPARE PARTS \ ERSATZTEIL

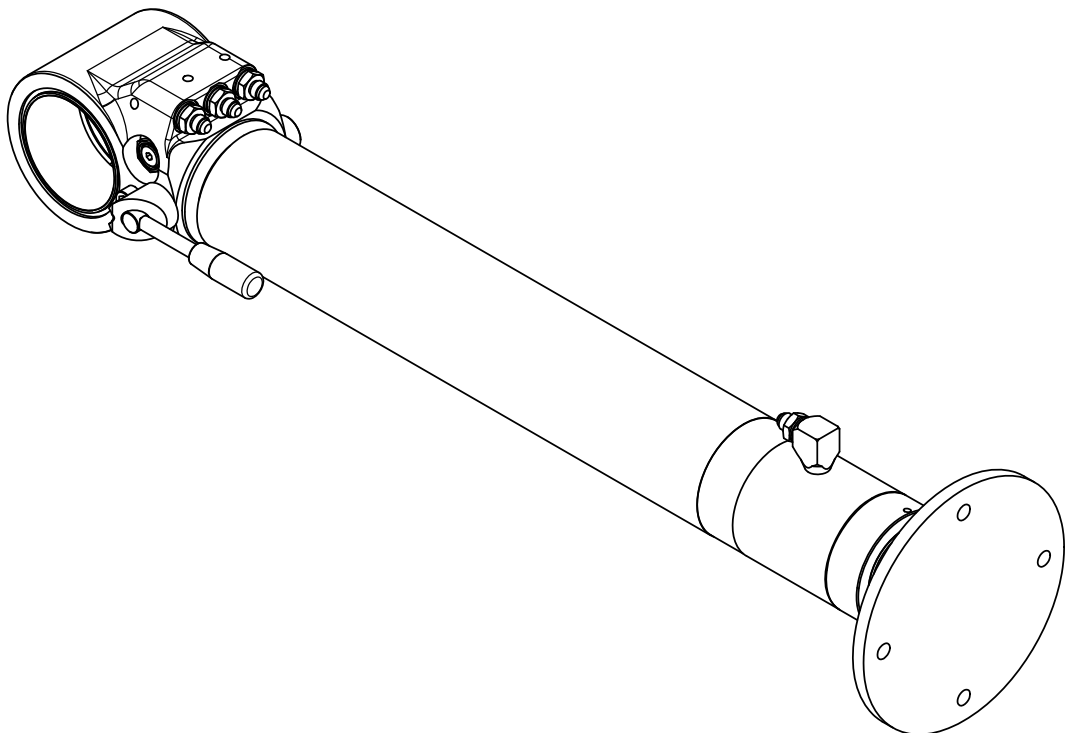
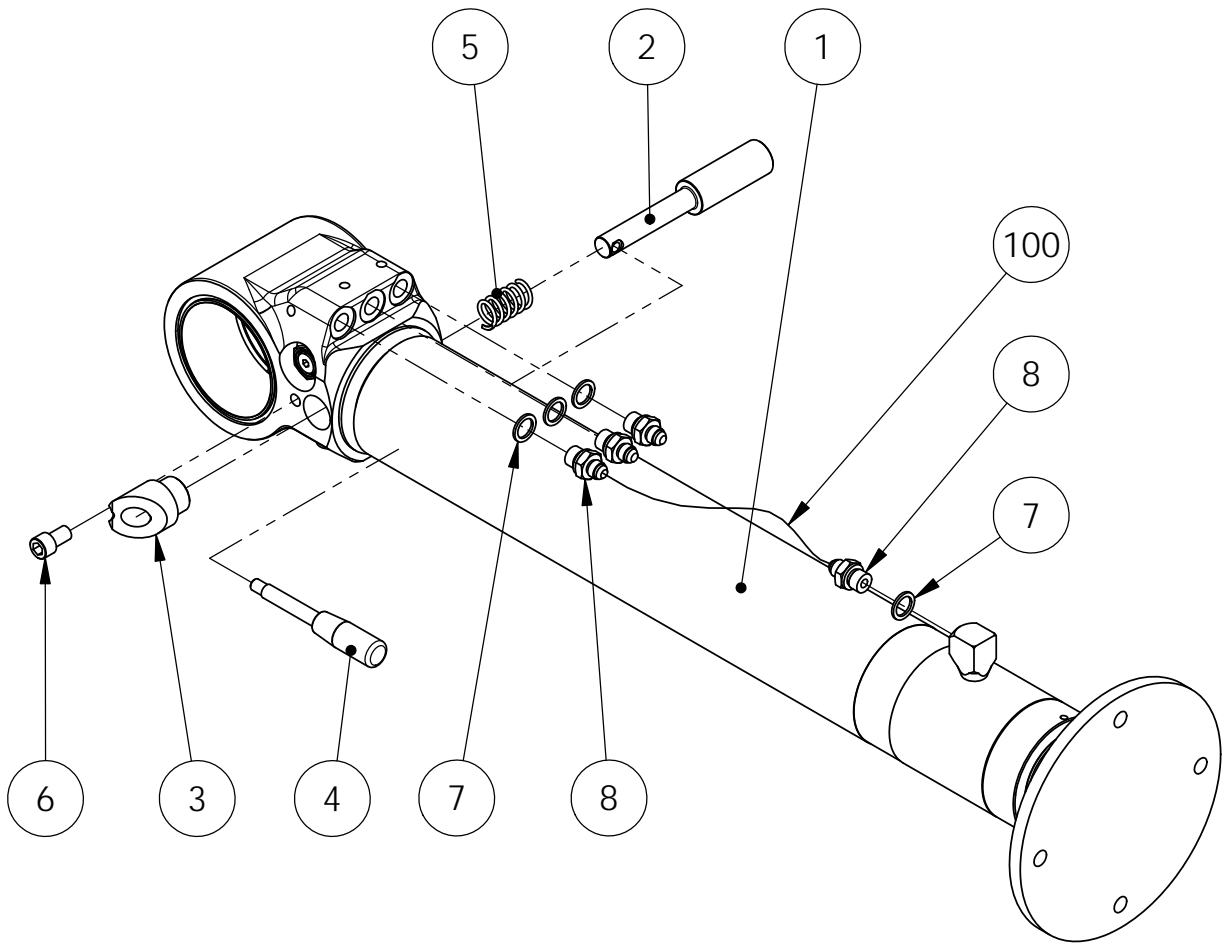


SPARE PART LIST

Item code	28919001	Revision	-
Title	CYLINDER	Date	12.09.2013
Specification	90/70X620		

Pos	Item code	Title	Specification	Pc	Nto Weight
1	3110025	PISTON SEAL	DAS 90/70X22	1	0.5
2	3110017	O-RING	84.5X3 90 SHORE	2	0.02
3	3110258	O-RING	42.2X3 90 SHORE	1	0.01
4	3110184	ROD SEAL	B 70/85X12 POLYPAC BALSELE	1	0.17
5	3110196	WIPER SEAL	GA 70/80X7/10	1	0.07
6	3110397	PISTON GUIDE	E/PWR 90/84X13	2	0.08
7	28861101	CYLINDER BARREL	90/70X600	1	32.54
8	28919302	PISTON ROD	70	1	15.91
9	28918201	PISTON	90	1	2.4
10	28554105	SLEEVE	ISKURAJOITINHOLKKI	1	0.96
11	28358202	GUIDANCE	90/70	1	2.42
12	3100344	BUSHING	WB 802 10060	2	0.38
13	3120843	VALVE		1	0.13
14	3050003	GREASE NIPPLE	M8X1.25 DIN 71412	3	0
15	3090211	PLUG		1	0.02
16	28918106	BASE	TUKIJALKA	1	6.02
1-6	3111025	SEAL KIT	90/70	1	

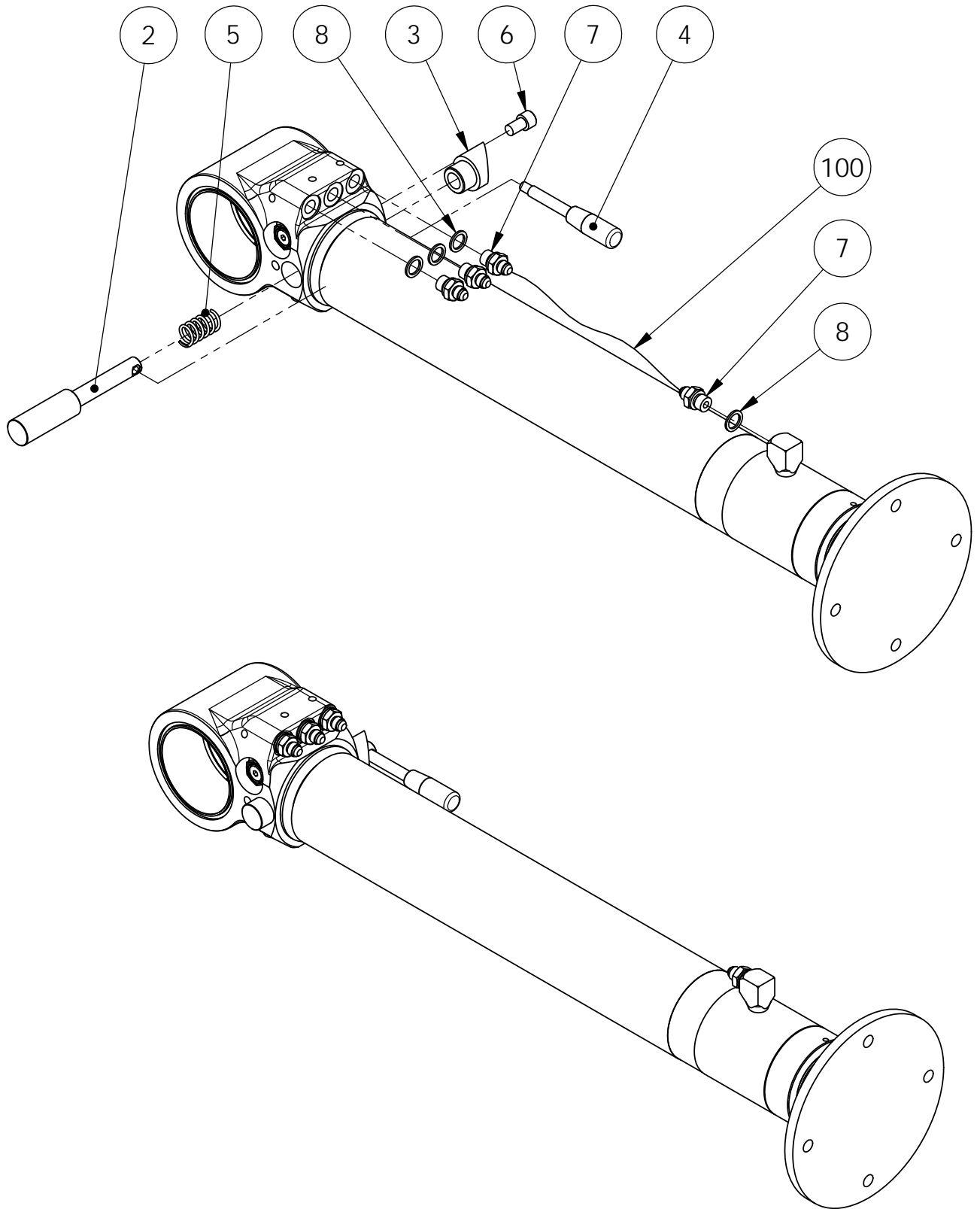
90025605
90/70x520 RIGHT (FIXED FOOT)



Item code	90025605	Revision	-
Title	STABILIZER	Date	18.06.2012
Specification	90/70X520 RIGHT (FIXED FOOT)		

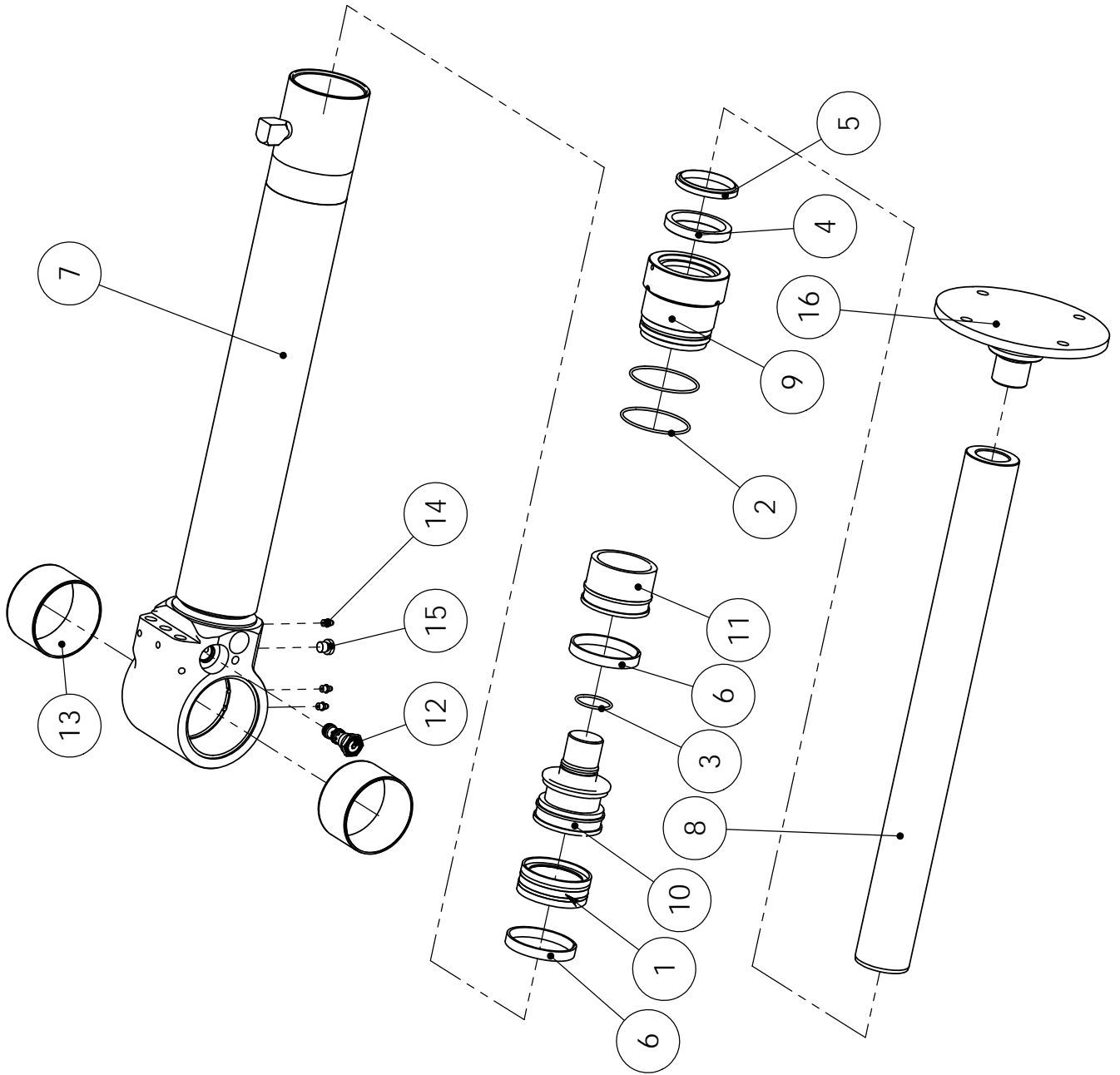
Pos	Item code	Title	Specification	Pc	Nto Weight
1	28918001	CYLINDER	90/70X520	1	58.28
2	90025017	SPINDLE	30/18-179	1	0.63
3	90025018	SLEEVE		1	0.26
4	3301574	LEVER	GN 310-12-125-E-NI M10	1	0.03
5	3300533	SPRING	18/45/7.6/6.88 -1643 SF-TF3	1	0.02
6	3010604	ALLEN SCREW	M12X20 8.8 DIN 912	1	0
7	3110040	USIT-SEAL	R-06 R 3/8"	4	0
8	3090901	CONNECTOR	6010-06-06	4	0.05
100	3132962	HYDRAULIC HOSE	A50005-06-06/241T-06/A50005-06-06/L=630/ TEX	1	0

90025606
90/70x520 LEFT (FIXED FOOT)



Item code	90025606	Revision	-
Title	STABILIZER	Date	18.06.2012
Specification	90/70X520 LEFT (FIXED FOOT)		

Pos	Item code	Title	Specification	Pc	Nto Weight
1	28918001	CYLINDER	90/70X520	1	58.28
2	90025017	SPINDLE	30/18-179	1	0.63
3	90025018	SLEEVE		1	0.26
4	3301574	LEVER	GN 310-12-125-E-NI M10	1	0.03
5	3300533	SPRING	18/45/7.6/6.88 -1643 SF-TF3	1	0.02
6	3010604	ALLEN SCREW	M12X20 8.8 DIN 912	1	0
7	3090901	CONNECTOR	6010-06-06	4	0.05
8	3110040	USIT-SEAL	R-06 R 3/8"	4	0
100	3132962	HYDRAULIC HOSE	A50005-06-06/241T-06/A50005-06-06/L=630/ TEX	1	0



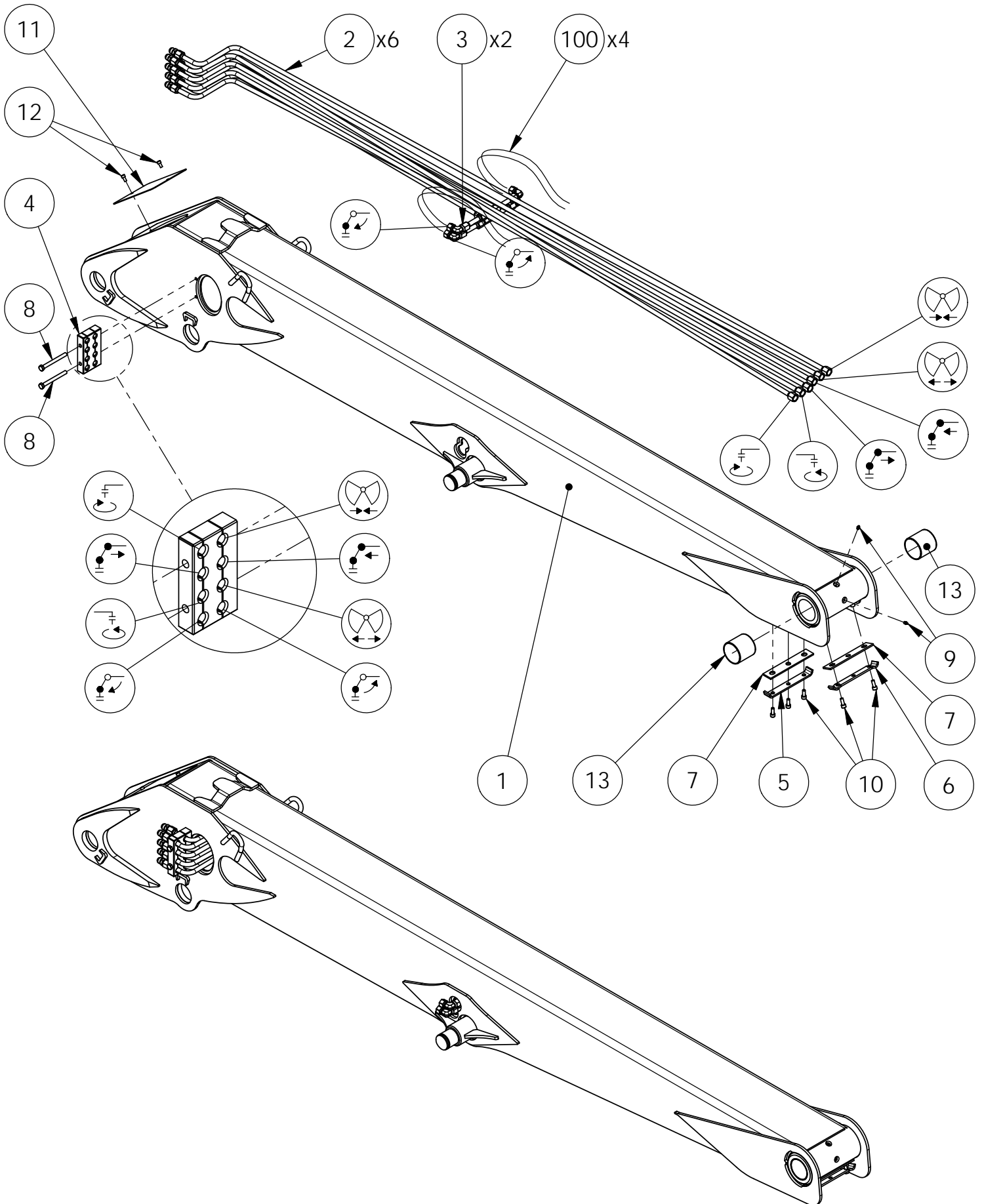
28918001



SPARE PART LIST

Item code	28918001	Revision	-
Title	CYLINDER	Date	05.06.2012
Specification	90/70X520		

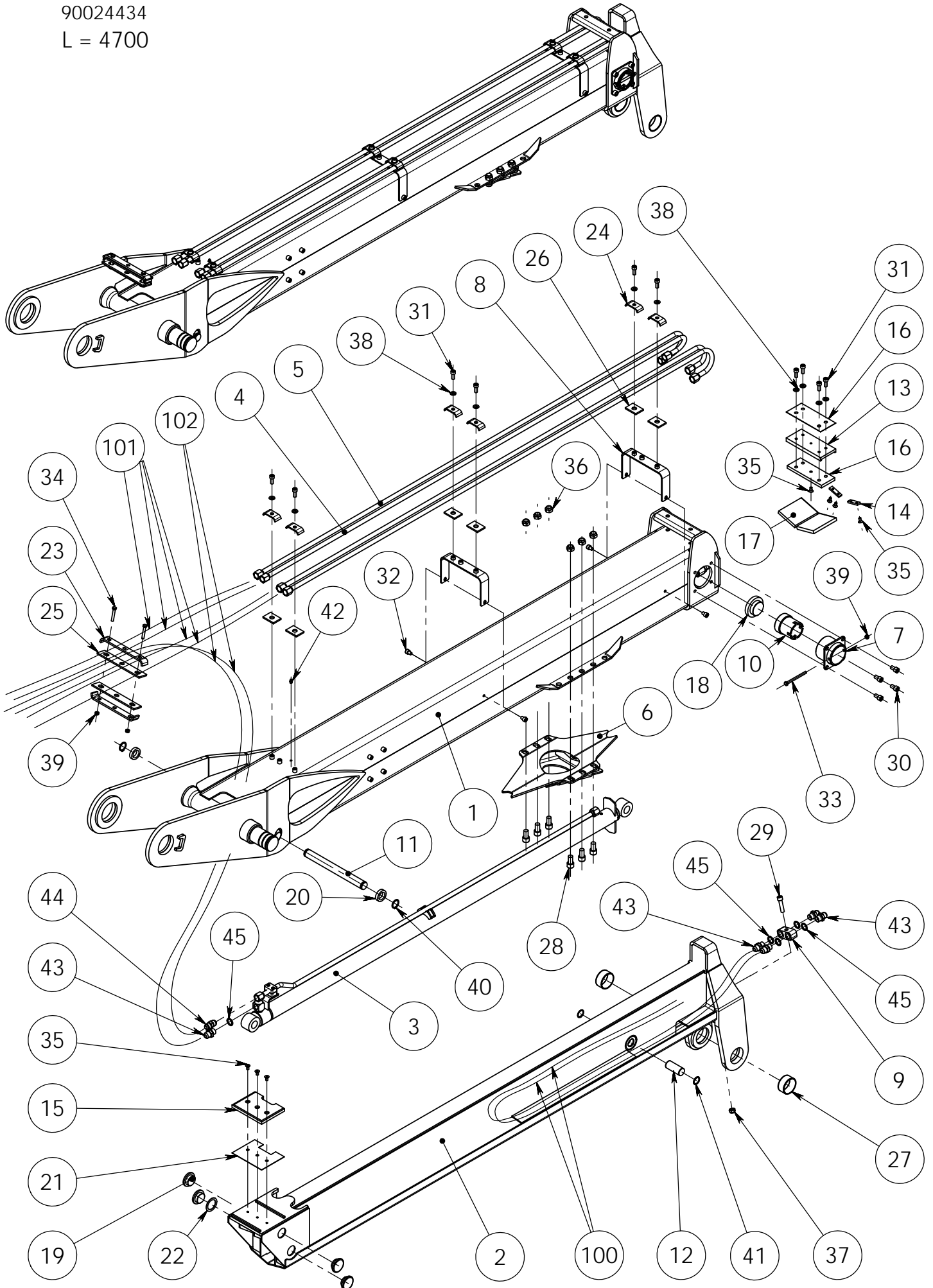
Pos	Item code	Title	Specification	Pc	Nto Weight
1	3110025	PISTON SEAL	DAS 90/70X22	1	0.5
2	3110017	O-RING	84.5X3 90 SHORE	2	0.02
3	3110258	O-RING	42.2X3 90 SHORE	1	0.01
4	3110184	ROD SEAL	B 70/85X12 POLYPAC BALSELE	1	0.17
5	3110196	WIPER SEAL	GA 70/80X7/10	1	0.07
6	3110397	PISTON GUIDE	E/PWR 90/84X13	2	0.08
7	28865101	CYLINDER BARREL	90/70X500	1	30.74
8	28918302	PISTON ROD	70	1	13.87
9	28358202	GUIDANCE	90/70	1	2.42
10	28918201	PISTON	90	1	2.4
11	28554105	SLEEVE	ISKURAJOITINHOLKKI	1	0.96
12	3120843	VALVE		1	0.13
13	3100344	BUSHING	WB 802 10060	2	0.38
14	3050003	GREASE NIPPLE	M8X1.25 DIN 71412	3	0
15	3090211	PLUG		1	0.02
16	28918106	BASE	TUKIJALKA	1	6.02
1-6	3111025	SEAL KIT	90/70	1	



Item code	90024332	Revision	-
Title	LIFT BOOM	Date	23.02.2011
Specification	3620 RIGHT VAR		

Pos	Item code	Title	Specification	Pc	Nto Weight
1	90024320	LIFT BOOM	HITS+KON	1	304
2	90024323	HYDRAULIC PIPE	1 KOK	6	2.75
3	90024331	HYDRAULIC PIPE	SIIRTOSYL KOK	2	2.87
4	90024321	FASTENER	D = 16	1	1.01
5	90013744	FASTENER		1	0.32
6	90015473	FASTENER		1	0.32
7	90013489	RUBBER	5X40X220	2	0.06
8	3010122	HEW SCREW	M12X120 8.8 ZN DIN 931	2	0
9	3050003	GREASE NIPPLE	M8X1,25 DIN 71412	2	0
10	3010685	ALLEN SCREW	M10X25 8.8 ZN DIN 912	5	0
11	90023441	COVER		1	0.76
12	3010292	ALLEN SCREW	M8X16 8.8 ZN DIN 912	2	0
13	3100187	BUSHING	WB 802 8080	2	0.41
100	3132975	HYDRAULIC HOSE	A50005-10-08/241T-08/500200-10-08/L=750	4	

90024434
L = 4700



Item code	90024434	Revision	C
Title	OUTER BOOM	Date	25.03.2011
Specification	L= 4700 1 - JATK		

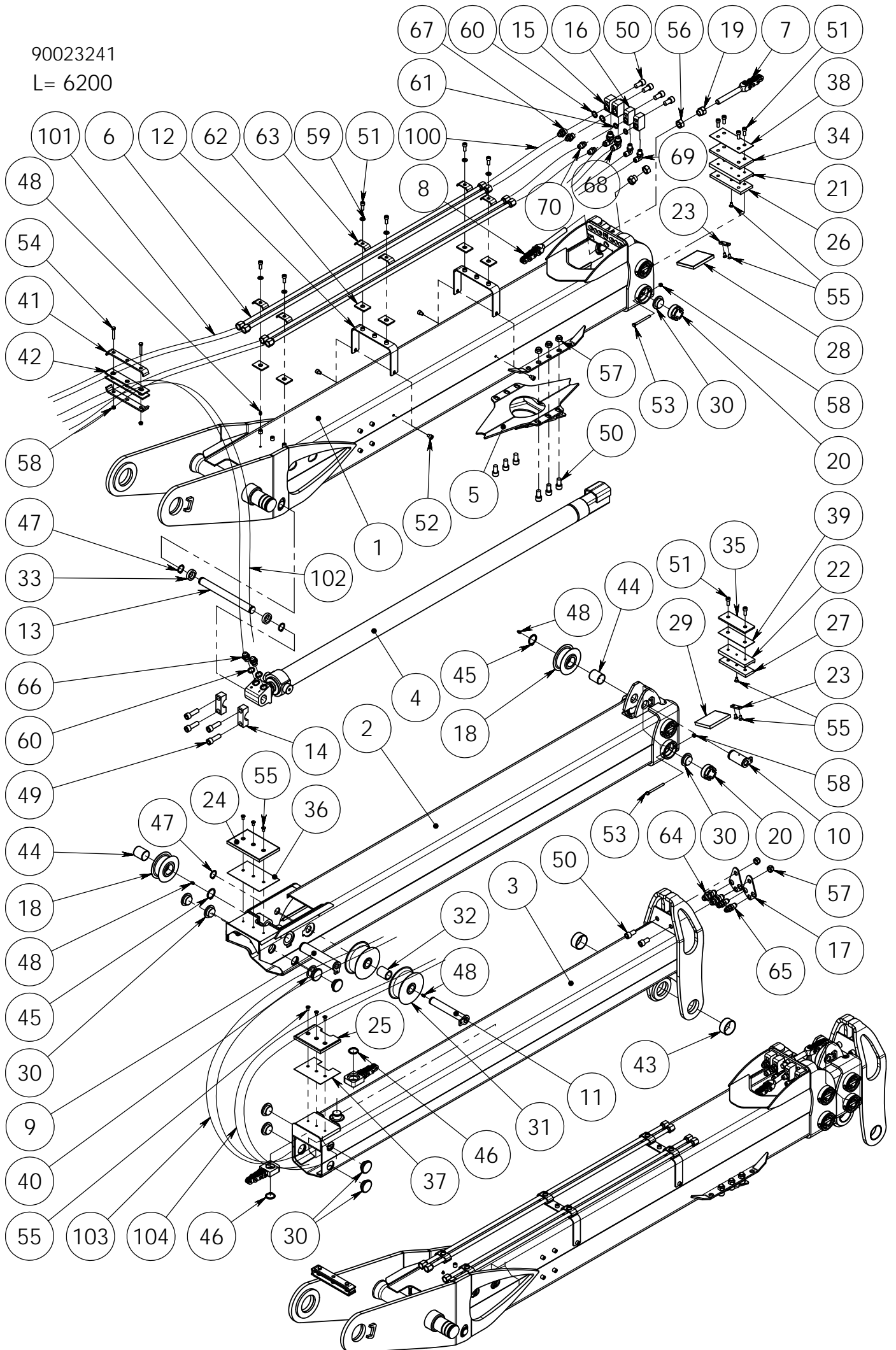
Pos	Item code	Title	Specification	Pc	Nto Weight
1	90024371	OUTER BOOM	L= 2945	1	162.73
2	90025760	EXTENSION	L=2475 HITS+KON	1	92.34
3	90021354	CYLINDER	50/30 X 1650	1	28.88
4	90021405	PIPE	L=2324 KOK	2	1.75
5	90021407	PIPE	L=2365 KOK	2	1.77
6	90021531	RACK	HITS	1	6.75
7	90021394	FASTENER	HITS	2	1.31
8	90025766	FASTENER	L=204 HITS	2	0.55
9	90021408	CONNECTOR	R 1/2"	2	0.35
10	90021396	FASTENER		2	0.85
11	90018765	AXLE	30-304	1	1.68
12	90022463	AXLE	30-71	1	0.39
13	90020556	FASTENER	L-180	1	1.18
14	90010345	HOLDER		2	0.03
15	90014887	GLIDE PAD	120X155	1	0.24
16	90020563	GLIDE PAD	70X180	1	0.17
17	90014768	GLIDE PAD	12 X 90 X 120	2	0.15
18	90021397	GLIDE PAD	56X80-15X15	2	0.13
19	90011001	GLIDE PAD	D=55-19/7	4	0.03
20	90025804	SLEEVE	40/31-11	2	0.01
21	90017085	PLATE	119X155	1	0.13
22	90020567	PLATE	80X180	1	0.11
23	21039422	SHIM	1XD=55	1	0.01
24	90013744	FASTENER		2	0.32
25	90010442	FASTENER	LT4X30-72	6	0.07
26	90013489	RUBBER	5X40X220	2	0.06
27	90010443	RUBBER	5X55-40	6	0.01
28	3100225	BUSHING	WB 802 6030	2	0.11
29	3010700	ALLEN SCREW	M16X30 8.8 ZN DIN 912	6	0
30	3010580	ALLEN SCREW	M12X50 8.8 ZN DIN 912	2	0
31	3010604	ALLEN SCREW	M12X20 8.8 DIN 912	8	0
32	3010685	ALLEN SCREW	M10X25 8.8 ZN DIN 912	10	0
33	3010297	ALLEN SCREW	M10X12 8.8 ZN DIN 912	4	0
34	3010447	HEW SCREW	M8X100 8.8 ZN DIN 931	2	0
35	3010072	HEW SCREW	M8X50 8.8 ZN DIN 931	2	0
36	3010190	ALLEN SCREW	M8X16 10.9 DIN 7991	8	0

Item code	90024434	Revision	C
Title	OUTER BOOM	Date	25.03.2011
Specification	L= 4700 1 - JATK		

Pos	Item code	Title	Specification	Pc	Nto Weight
37	3020010	NUT	M16 ZN DIN 985	6	0.03
38	3020005	NUT	M12 ZN DIN 985	2	0.02
39	3030003	WASHER	M10/11 ZN DIN 126	10	0
40	3020001	NUT	M8 ZN DIN 985	4	0.01
41	3060092	SNAP RING	AS 30X2 ZN DIN 471	2	0
42	3060019	SNAP RING	30 DIN 472	2	0
43	3050003	GREASE NIPPLE	M8X1,25 DIN 71412	1	0
44	3090917	CONNECTOR (STRAIGHT)	26-040010810 R 1/2" -7/8"JIC	9	0.11
45	3090654	CONNECTOR	1010-10-10	1	0.09
46	3110042	USIT-SEAL	R-08 R 1/2"	9	0.01
100	3132972	HYDRAULIC HOSE	A50005-10-08/241T-08/500200-10-08/L=2200	4	
101	3132973	HYDRAULIC HOSE	500200-10-08/241T-08/500200-10-08/L=1100	4	
102	3133073	HYDRAULIC HOSE	500200-10-08/241T-08/A50064-10-08/L=1100	2	

90023241

L= 6200



Item code	90023241	Revision	C
Title	OUTER BOOM	Date	15.06.2009
Specification	L=6200 2-JATK		

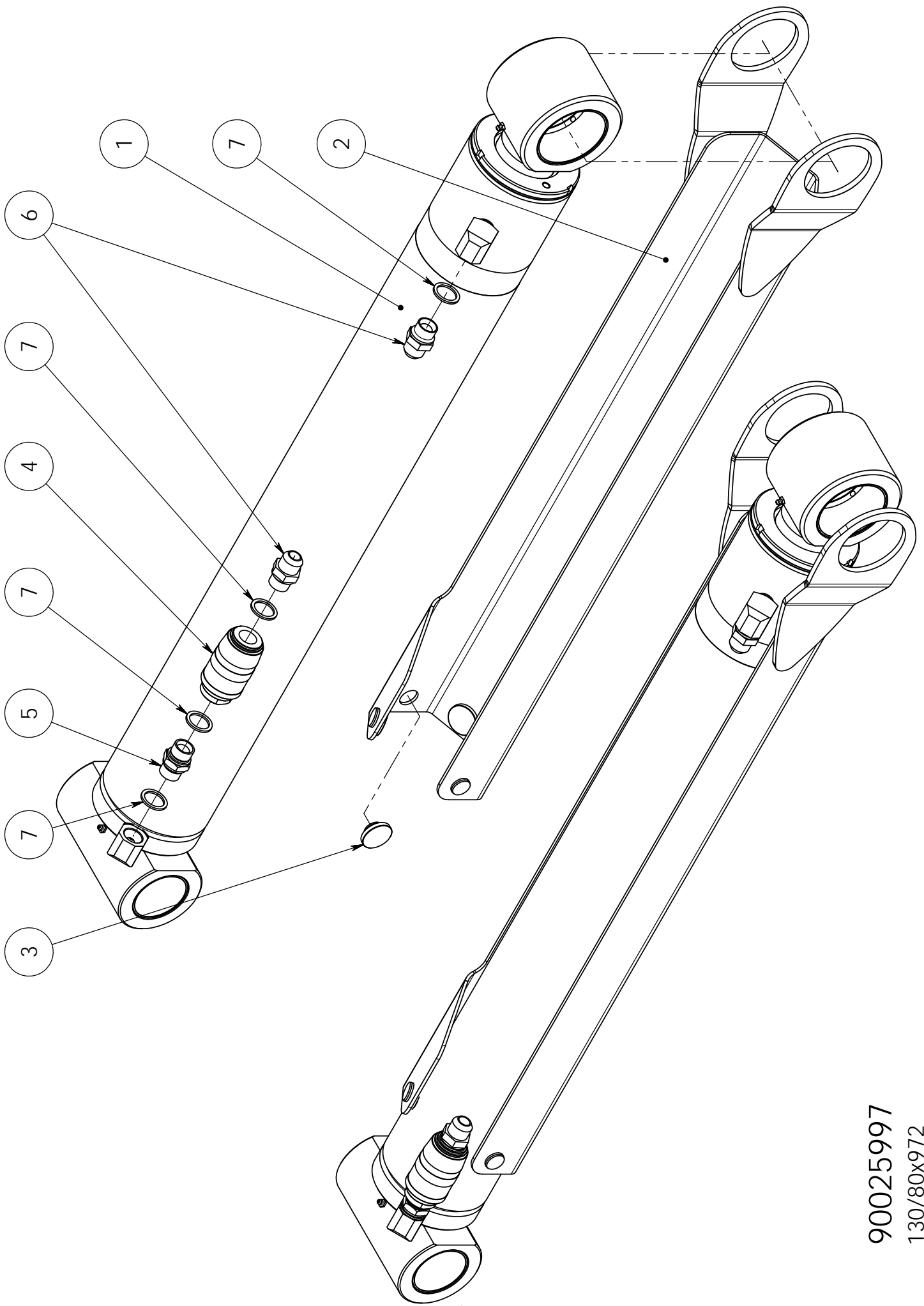
Pos	Item code	Title	Specification	Pc	Nto Weight
1	90022944	OUTER BOOM	L=2845 HITS+KON	1	176.02
2	90022997	EXTENSION 1	L=2450	1	92.72
3	90023015	EXTENSION 2	L=2170	1	72.23
4	28870001	CYLINDER	70/40X1550	1	29.6
5	90021531	RACK	HITS	1	6.75
6	90021148	PIPE	L=1420	4	1.12
7	90021171	CHAIN	3X4 (77 LENKKIÄ)	1	1.42
8	90021172	CHAIN	3X4 (87 LENKKIÄ)	1	1.42
9	90023019	AXLE	40-203	1	1.94
10	90023021	AXLE	40-88	1	0.82
11	90023024	AXLE	30-203	1	1.07
12	90025729	FASTENER	L=224 HITS	2	0.6
13	90018765	AXLE	30-304	1	1.68
14	90019106	COVER		2	0.37
15	90019105	CONNECTOR	R 1/2"	2	0.41
16	90023027	CONNECTOR	R 3/8"	2	0.39
17	90019118	FASTENER	R / JIC	2	0.14
18	90021697	WHEEL	R1", 3X4, D90	2	1.96
19	90017520	NUT	M20-30	2	0.09
20	90016090	FASTENER		8	0.35
21	90020556	FASTENER	L-180	1	1.18
22	90023050	FASTENER		1	0.77
23	90010345	HOLDER		4	0.03
24	90020561	GLIDE PAD	120X190	1	0.31
25	90014887	GLIDE PAD	120X155	1	0.24
26	90020563	GLIDE PAD	70X180	1	0.17
27	90023052	GLIDE PAD	12X50X155	1	0.08
28	90020562	GLIDE PAD	120X100	2	0.17
29	90014768	GLIDE PAD	12 X 90 X 120	2	0.15
30	90011001	GLIDE PAD	D=55-19/7	16	0.03
31	90023054	ROLL		2	0.78
32	90024481	SLEEVE	40/31-48	1	0.02
33	90025804	SLEEVE	40/31-11	2	0.01
34	90023238	PLATE		1	1.09
35	90023239	PLATE		1	0.43
36	90020566	PLATE	119X190	1	0.18

Item code	90023241	Revision	C
Title	OUTER BOOM	Date	15.06.2009
Specification	L=6200 2-JATK		

Pos	Item code	Title	Specification	Pc	Nto Weight
37	90017085	PLATE	119X155	1	0.13
38	90020567	PLATE	80X180	1	0.11
39	90023240	PLATE	60 X 155	1	0.07
40	21039422	SHIM	1XD=55	1	0.01
41	90013744	FASTENER		2	0.32
42	90013489	RUBBER	5X40X220	2	0.06
43	3100225	BUSHING	WB 802 6030	2	0.11
44	3100188	BUSHING	WB 802 4050	2	0.1
45	3060100	SNAP RING	AS 40X2.5 ZN DIN 471	2	0
46	3060091	SNAP RING	AS 35X2.5 ZN DIN 471	2	0.01
47	3060092	SNAP RING	AS 30X2 ZN DIN 471	3	0
48	3050003	GREASE NIPPLE	M8X1,25 DIN 71412	4	0
49	3010301	ALLEN SCREW	M16X50 12.9 DIN 912	4	0
50	3010700	ALLEN SCREW	M16X30 8.8 ZN DIN 912	12	0
51	3010685	ALLEN SCREW	M10X25 8.8 ZN DIN 912	12	0
52	3010297	ALLEN SCREW	M10X12 8.8 ZN DIN 912	4	0
53	3010328	HEW SCREW	M8X90 8.8 ZN DIN 931	8	0
54	3010072	HEW SCREW	M8X50 8.8 ZN DIN 931	2	0
55	3010190	ALLEN SCREW	M8X16 10.9 DIN 7991	16	0
56	3020032	NUT	M20 ZN DIN 934/8	2	0
57	3020010	NUT	M16 ZN DIN 985	8	0.03
58	3020001	NUT	M8 ZN DIN 985	10	0.01
59	3030003	WASHER	M10/11 ZN DIN 126	6	0
60	3110042	USIT-SEAL	R-08 R 1/2"	4	0.01
61	3110040	USIT-SEAL	R-06 R 3/8"	2	0
62	90010443	RUBBER	5X55-40	6	0.01
63	90010442	FASTENER	LT4X30-72	6	0.07
64	3091036	CONNECTOR	1030-10-10 7/8" -7/8"	2	0.19
65	3090952	CONNECTOR	29-1030-08-08	2	0.11
66	3090289	CONNECTOR	29-6010-08-10	2	0.11
67	3090485	CONNECTOR	6010-08-08	2	0.09
68	3090288	CONNECTOR	6310-08-10 R 1/2"- JIC 7/8"	2	0.18
69	3090630	CONNECTOR (ANGLE)	6310-06-08	2	0.1
70	3090604	CONNECTOR	6010-06-08	2	0.07
100	3132997	HYDRAULIC HOSE	A50005-08-08/241T-08/500200-10-08/L=600	4	
101	3132998	HYDRAULIC HOSE	500200-10-08/241T-08/500200-10-08/L=1000	4	

Item code	90023241	Revision	C
Title	OUTER BOOM	Date	15.06.2009
Specification	L=6200 2-JATK		

Pos	Item code	Title	Specification	Pc	Nto Weight
102	3133073	HYDRAULIC HOSE	500200-10-08/241T-08/A50064-10-08/L=1100	2	
103	3132999	HYDRAULIC HOSE	A50005-10-08/261E-08/A50005-10-08/L=4050	2	0
104	3133000	HYDRAULIC HOSE	A50005-08-06/261E-06/A50005-08-06/L=4050	2	

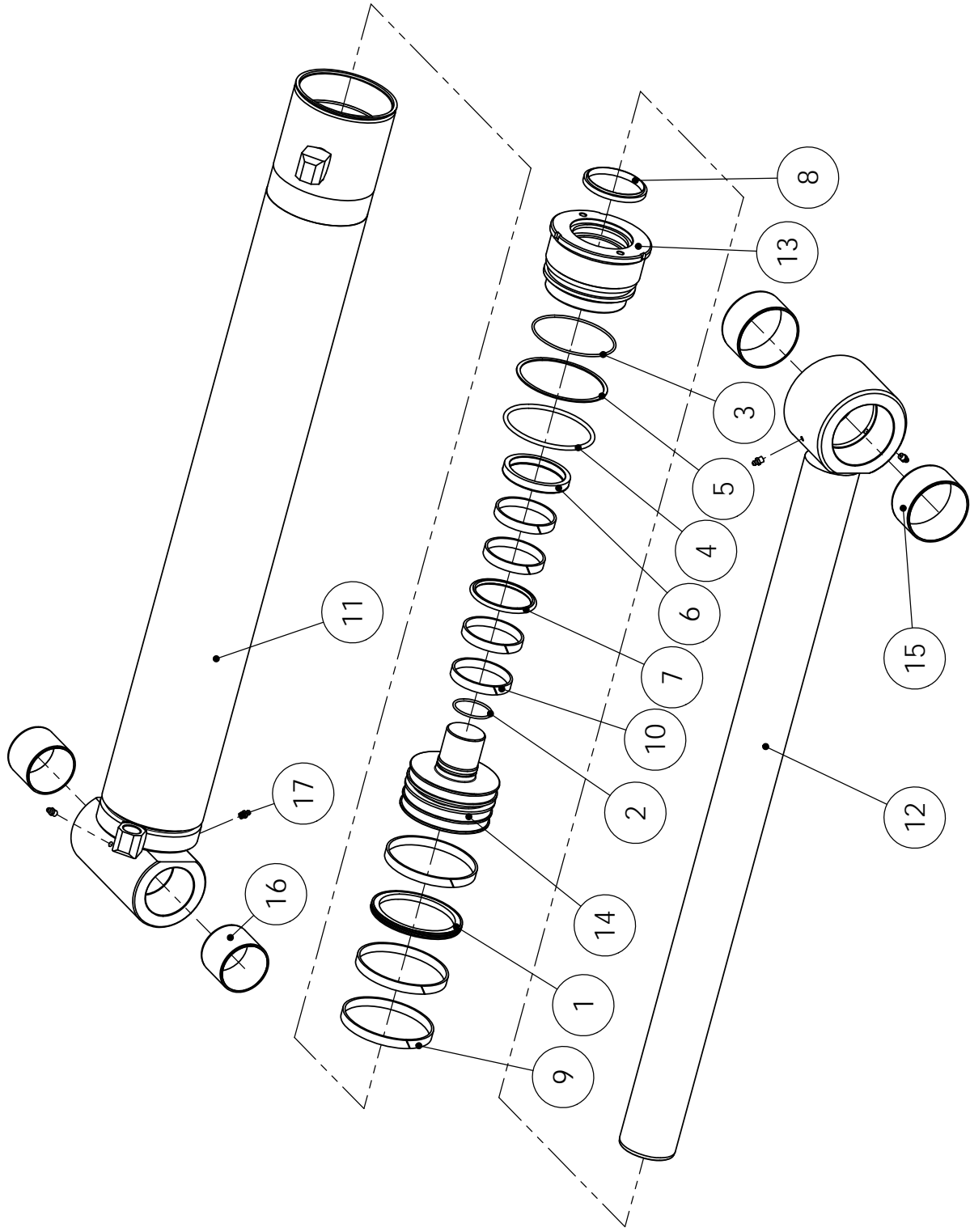




SPARE PART LIST

Item code	90025997	Revision	-
Title	CYLINDER	Date	02.01.2013
Specification	130/80 X 972 NOSTOSYLINTERI 2112Z		

Pos	Item code	Title	Specification	Pc	Nto Weight
1	28946001	CYLINDER	130/80X972	1	88.25
2	90024293	COVER	NOSTOSYL SUOJA HITS	1	13.64
3	90013832	GLIDE PAD	40-14	5	0.01
4	3120235	CHECK VALVE		1	1.24
5	3090185	CONNECTOR (STRAIGHT)	04000-12	1	0.14
6	3090918	CONNECTOR (STRAIGHT)	R 3/4" -1 1/16" JIC 26-04001-12-12	2	0.16
7	3110130	USIT-SEAL	R-12 R 3/4"	4	0.01



28946001 SYLINTERI

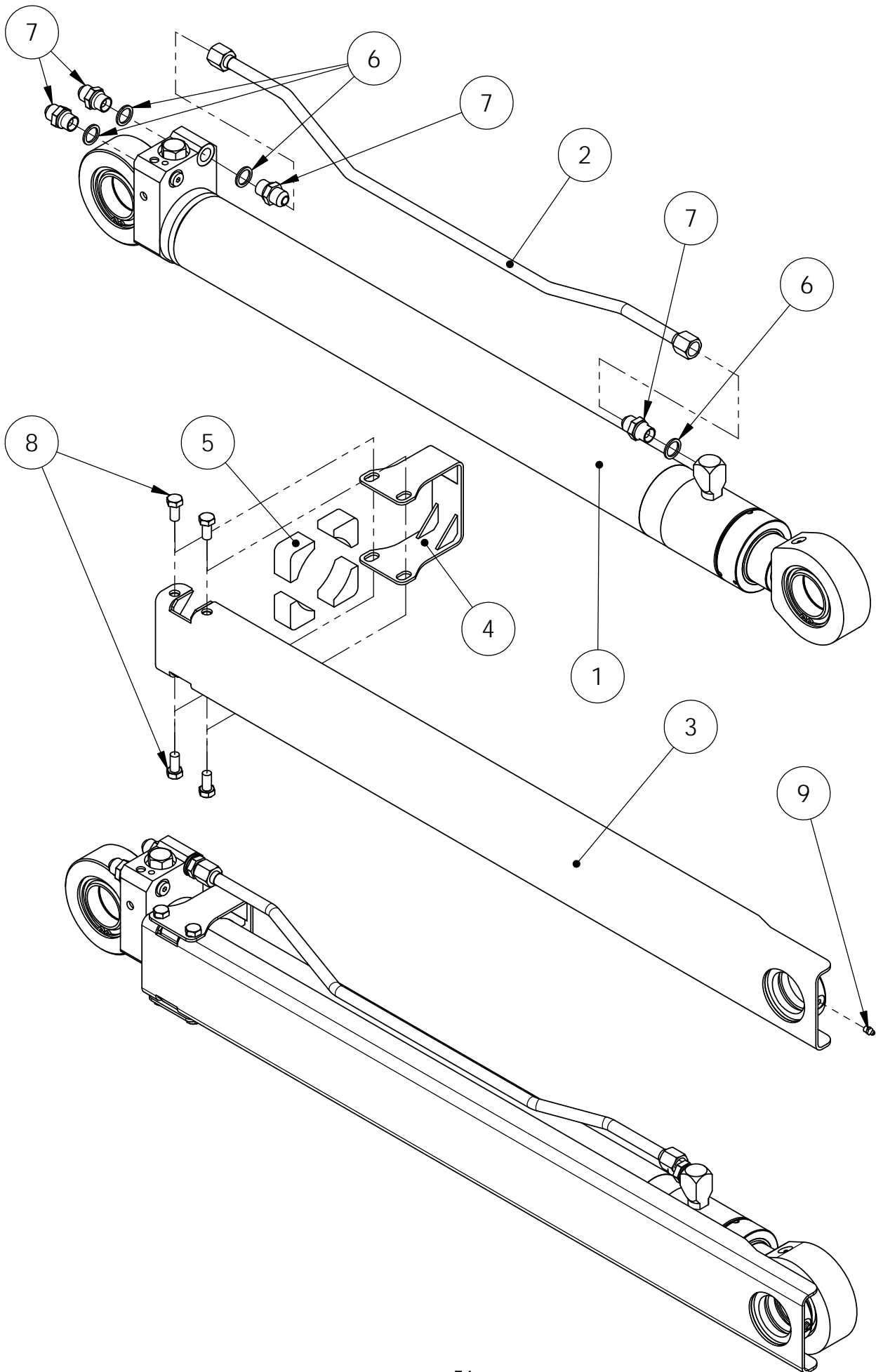


SPARE PART LIST

Item code	28946001	Revision	-
Title	CYLINDER	Date	13.02.2013
Specification	130/80X972		

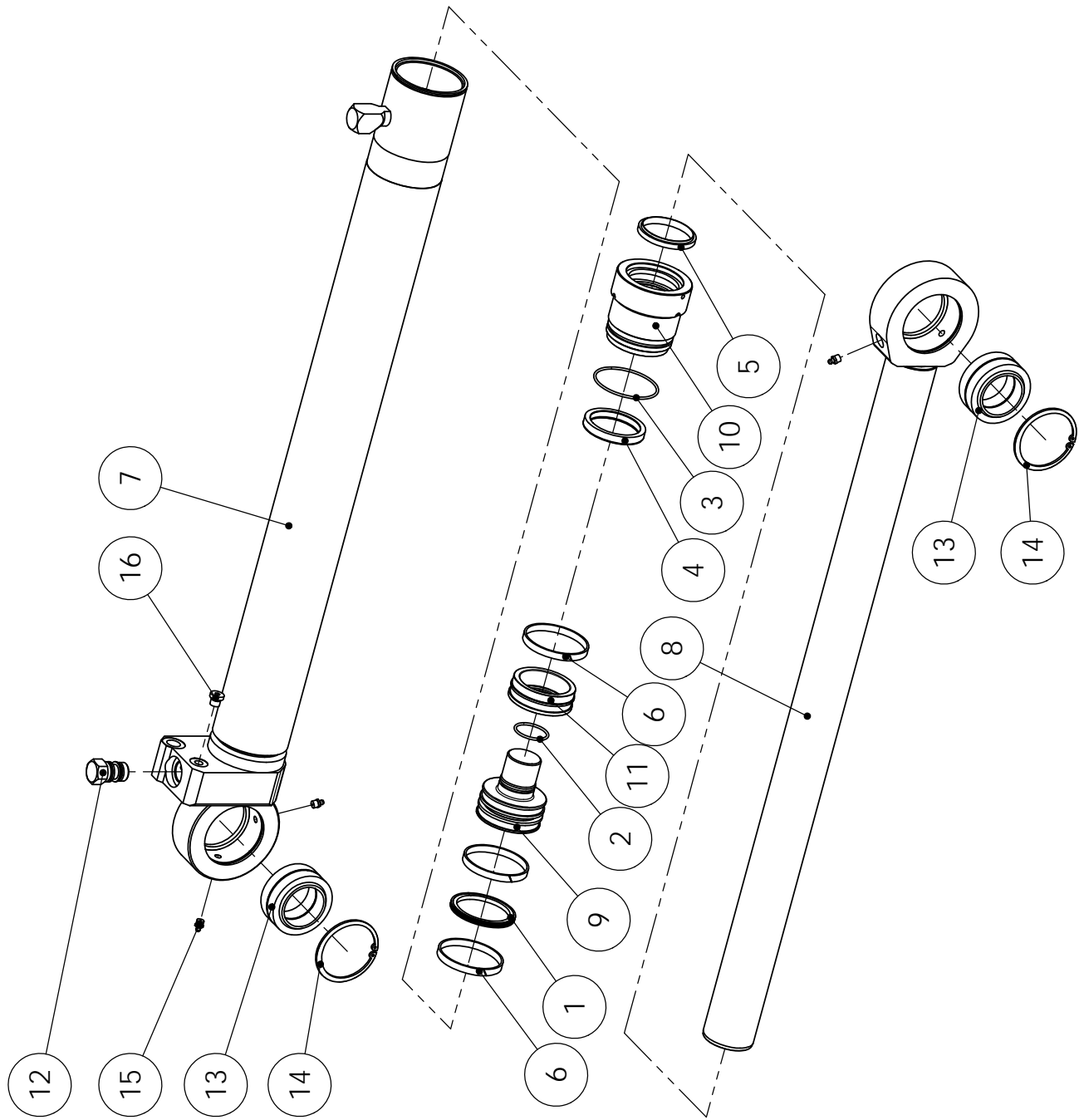
Pos	Item code	Title	Specification	Pc	Nto Weight
1	3110786	PISTON SEAL	OK 130/109X8	1	0.24
2	3110182	O-RING	50.2X3.90 SHORE	1	0.01
3	3110400	O-RING	114.5X3.0 90 SHORE	1	0.02
4	3110322	O-RING	119.3X5.7 90 SHORE	1	0.08
5	3110479	SUPPORTING RING	TR 130/120X1.7 PU	1	0.03
6	3110251	ROD SEAL	NI 300 80/95X12	1	0.16
7	3110880	ROD SEAL	OMS-MR 80/95.1X6	1	0.08
8	3110111	WIPER SEAL	GA 80/90X7/10	1	0.08
9	3110787	PISTON GUIDE	E/PWR 130/124X13	3	0.12
10	3110788	GUIDANCE	I/PWR 80/86X13	4	0.08
11	28946101	CYLINDER BARREL	130/80X972	1	41.25
12	28915204	PISTON ROD	80	1	33.35
13	28651202	GUIDANCE	130/80	1	5.36
14	28946201	PISTON	130	1	5.81
15	3100380	BUSHING	WB 802 9050	2	0.28
16	3100185	BUSHING	WB 802 7060	2	0.27
17	3050003	GREASE NIPPLE	M8X1.25 DIN 71412	4	0
-10	3111070	SEAL KIT	130/80	1	

90025694
Ø90/70x880



Item code	90025694	Revision	A
Title	CYLINDER	Date	16.08.2012
Specification	90/70X880 TUBE VAR		

Pos	Item code	Title	Specification	Pc	Nto Weight
1	28940001	CYLINDER	90/70X880 TUBE	1	59.89
2	90022950	HYDRAULIC PIPE	KOK	1	0.77
3	90024354	COVER	HITS	1	8.1
4	90018957	FASTENER	HITS	1	0.76
5	90023630	GLIDE PAD	12.5/45X30	4	0.04
6	3110042	USIT-SEAL	R-08 R 1/2"	4	0.01
7	3090917	CONNECTOR (STRAIGHT)	26-040010810 R 1/2" -7/8"JIC	4	0.11
8	3010442	HEW SCREW	M12X25 8.8 ZN DIN 933	4	0
9	3050003	GREASE NIPPLE	M8X1,25 DIN 71412	1	0



28940001 SYLINTERI

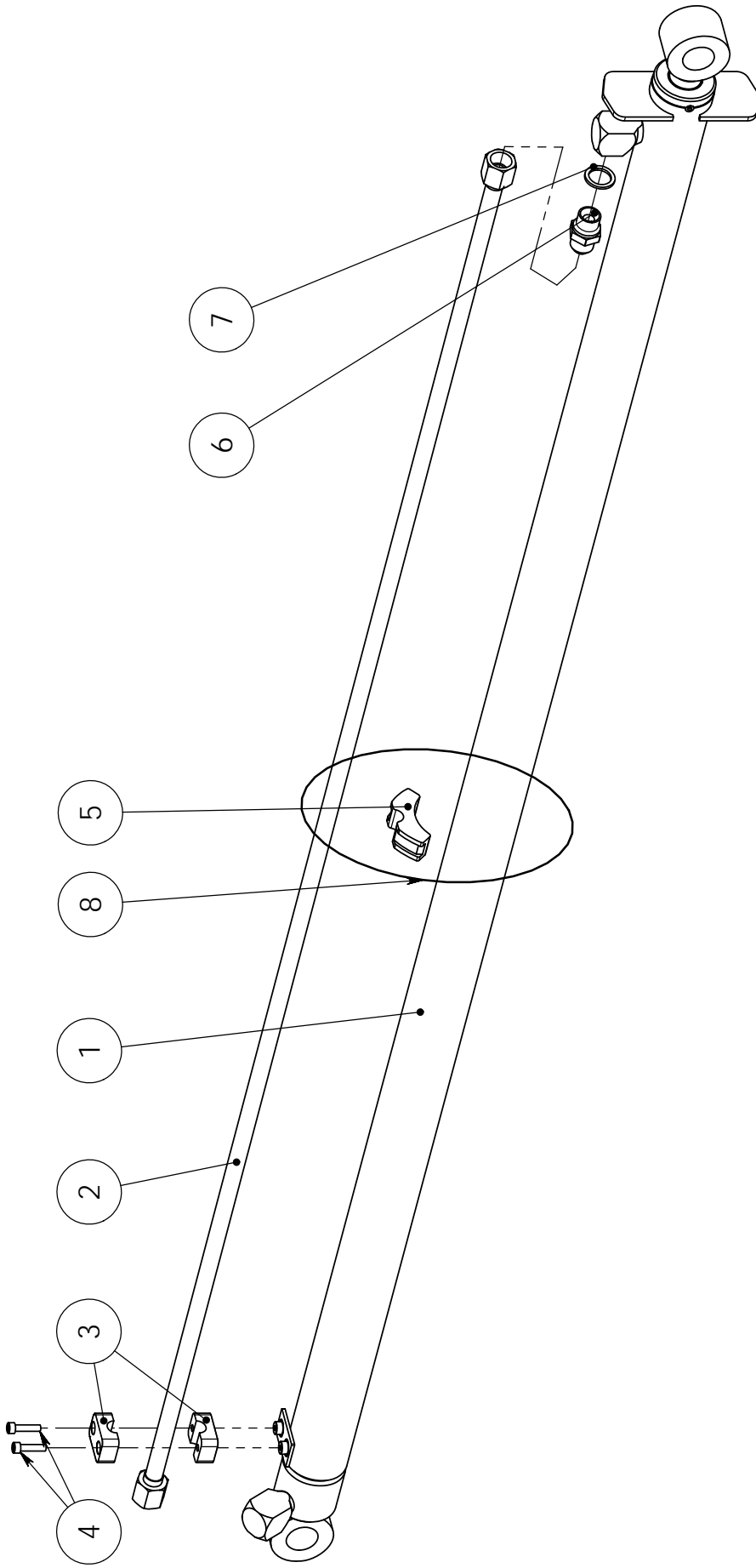
VARAOSAT \ RESERVDELAR \ SPARE PARTS \ ERSATZTEIL



SPARE PART LIST

Item code	28940001	Revision	A
Title	SYLINTERI	Date	13.02.2013
Specification	90/70X880 TUBE		

Pos	Item code	Title	Specification	Dimensions	Pc	Amount	Unit	Nto Weight
1	3110688	TIIVISTE TÄTNIING SEAL DICHTUNG	SIMKO 300 90/74.5X6		1			0.09
2	3110258	O-RENGAS O-RING O-RING O-RING	42.2X3 90 SHORE		1			0.01
3	3110017	O-RENGAS O-RING O-RING O-RING	84.5X3 90 SHORE		2			0.02
4	3110195	VARRENTIIVISTE KOLVSTÄNGSTÄTNIING ROD SEAL DICHTUNG FÜR KOLBENSTANGE	70/85X11.4		1			0.13
5	3110196	LUOVUJTIIN AVSTRYKARE WIPER SEAL ABSTREIFER	GA 70/80X7/10		1			0.07
6	3110863	MÄNNÄNOHJAIN KOLV STYRNING PISTON GUIDE KOLBENFÜHRUNG	90/85X9.7		3			0.05
7	28836101	SYLINTERIPUTKI CYLINDERROHR	90/70X880		1			27.84
8	28940204	MÄNNÄNVARSI KOLVSTÄNG PISTON ROD KOLBENSTANGE	70-1043		1			24.21
9	28940201	MÄNTÄ KOLV PISTON KOLBEN	90	L=98	1			2
10	28358202	OHJAIN STYRNING GUIDANCE STEUERUNG	90/70		1			2.42
11	28916105	HOLKKI HYLISA SLEEVE ACHSHALTER	88.5/70-29	L=32	1			0.52
12	28836108	TULPPA PLUGG PLUG DECKEL		L=55	1			0.23
13	3100048	NIVELLAAKERI LEDLAGER JOINT BEARING GELENKLÄGER	GE 60 ES		2			1.06
14	3060041	PIDÄTINRENGAS LÄSRING SNAP RING SPRENGRING	90X3 DIN 472		2			0
15	3050020	RASVANIPPA SMÖRJNIPPEL GREASE NIPPLE SCHMIERNIPPEL	R 1/8" ZN		4			0.01
16	3090211	TULPPA PLUGG PLUG DECKEL			1			0.02
1-6	3111022	TIIVISTESARJA TÄTNIINGSSATS SEAL KIT DICHTUNGSSATZ	90/70		1			

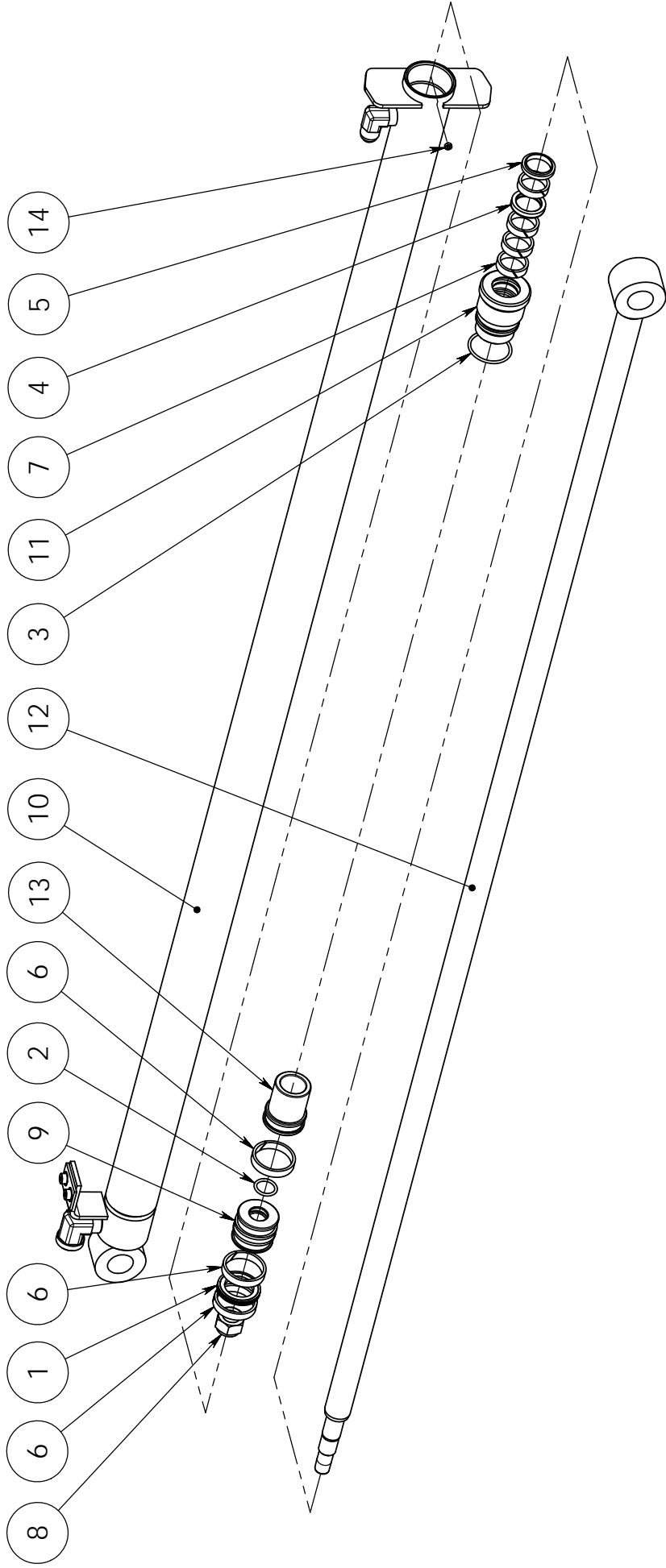


90021354 SYLINTERI

VARAOSAT \ RESERVDELAR \ SPARE PARTS \ ERSATZTEIL

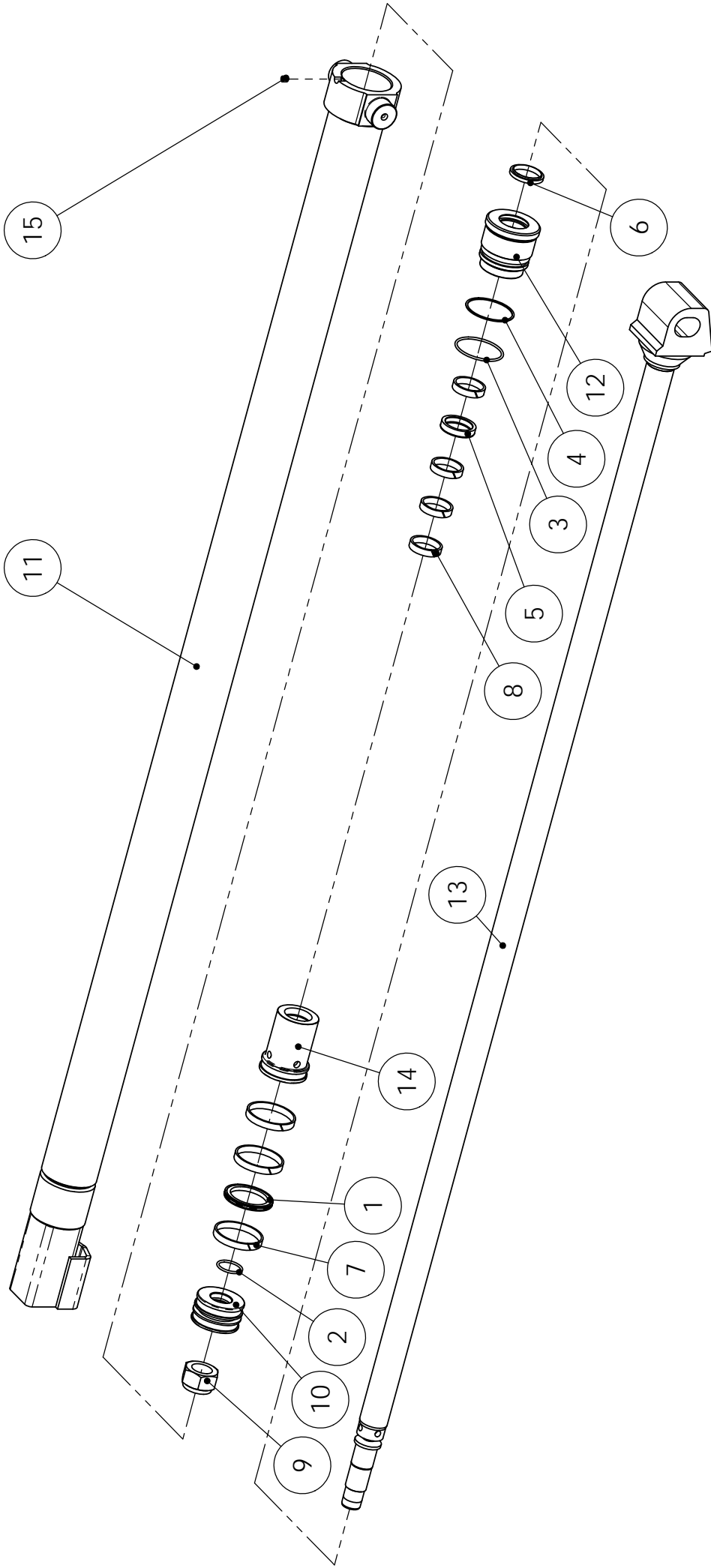
Item code	90021354	Revision	A
Title	CYLINDER	Date	14.09.2006
Specification	50/30 X 1650		

Pos	Item code	Title	Specification	Pc	Nto Weight
1	28791001	CYLINDER	50/30X1650	1	27
2	90025971	PIPE	JATK.SYL. 50/30 X 1650	1	1.35
3	3090291	FASTENER		2	0.11
4	3010288	ALLEN SCREW	M6X25 8.8 ZN DIN 912	2	0
5	3090928	FASTENER		1	0.22
6	3090917	CONNECTOR (STRAIGHT)	26-040010810 R 1/2" -7/8"JIC	1	0.11
7	3110042	USIT-SEAL	R-08 R 1/2"	1	0.01
8	3090929	TENSIONER		1	



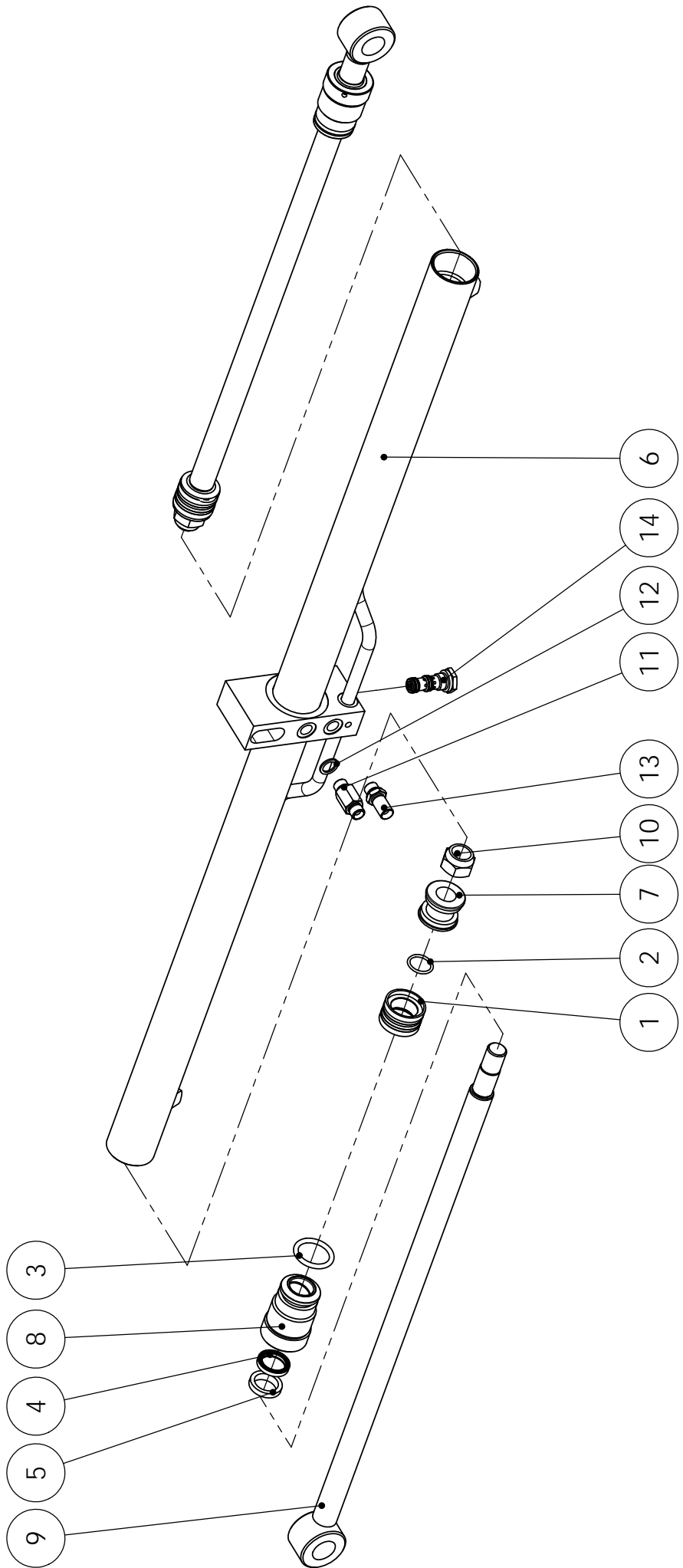
Item code	28791001	Revision	-
Title	CYLINDER	Date	12.10.2006
Specification	50/30X1650		

Pos	Item code	Title	Specification	Pc	Nto Weight
1	3110676	PISTON SEAL	300 50/34,5X6	1	0.05
2	3110261	O-RING	21.2X3 90 SHORE	1	0
3	3110669	O-RING	45X3 90 SHORE	1	0.01
4	3110030	ROD SEAL	T22 30/40X7.3	1	0.02
5	3110027	WIPER SEAL	PW 30	1	0.02
6	3110677	PISTON GUIDE	E/PWR 50/44X10	3	0.03
7	3110741	GUIDANCE	I/PWR 30/36X10	4	0.02
8	3020009	NUT	M20 ZN DIN 985	1	0.07
9	28528201	PISTON	50 (SIMKO)	1	0.35
10	28791101	CYLINDER BARREL	50/30-1650	1	14.63
11	28586202	GUIDANCE	50/30	1	0.61
12	28791204	PISTON ROD	50/30-1650	1	10.78
13	28586105	SLEEVE	ISKURAJOITINHOLKKI	1	0.37
14	3010793	ALLEN SCREW	M8X6 ZN DIN 914	1	0
1-7	3110756	SEAL KIT	50/30 F2010	1	



Item code	28870001	Revision	A
Title	CYLINDER	Date	15.09.2011
Specification	70/40X1550		

Pos	Item code	Title	Specification	Pc	Nto Weight
1	3110831	PISTON SEAL	300 70/54.5X6	1	0.07
2	3110248	O-RING	31.5X3 90 SHORE	1	0.01
3	3110009	O-RING	64.5X3 90 SHORE	1	0.01
4	3110557	SUPPORTING RING	70/65X1.3 PU	1	0
5	3110010	ROD SEAL	NI 300 40/50X10	1	0.05
6	3110011	WIPER SEAL	PW 40	1	0.03
7	3110832	PISTON GUIDE	70/65X9.7	3	0.04
8	3110735	GUIDANCE	I/PWR 40/46X10	4	0.03
9	3020145	NUT	M30X2 ZN DIN 980 V	1	0.24
10	28710201	PISTON	70	1	0.7
11	28581101	CYLINDER BARREL	70/40 X 1600	1	20.95
12	28581202	GUIDANCE	70/40	1	1.38
13	28581204	PISTON ROD	D=40	1	4.92
14	28870105	SLEEVE	ISKUNRAJOITIN HOLKKI	1	1
15	3010175	ALLEN SCREW	M8X10 ZN DIN 914	1	0
1-8	3110846	SEAL KIT	70/40	1	

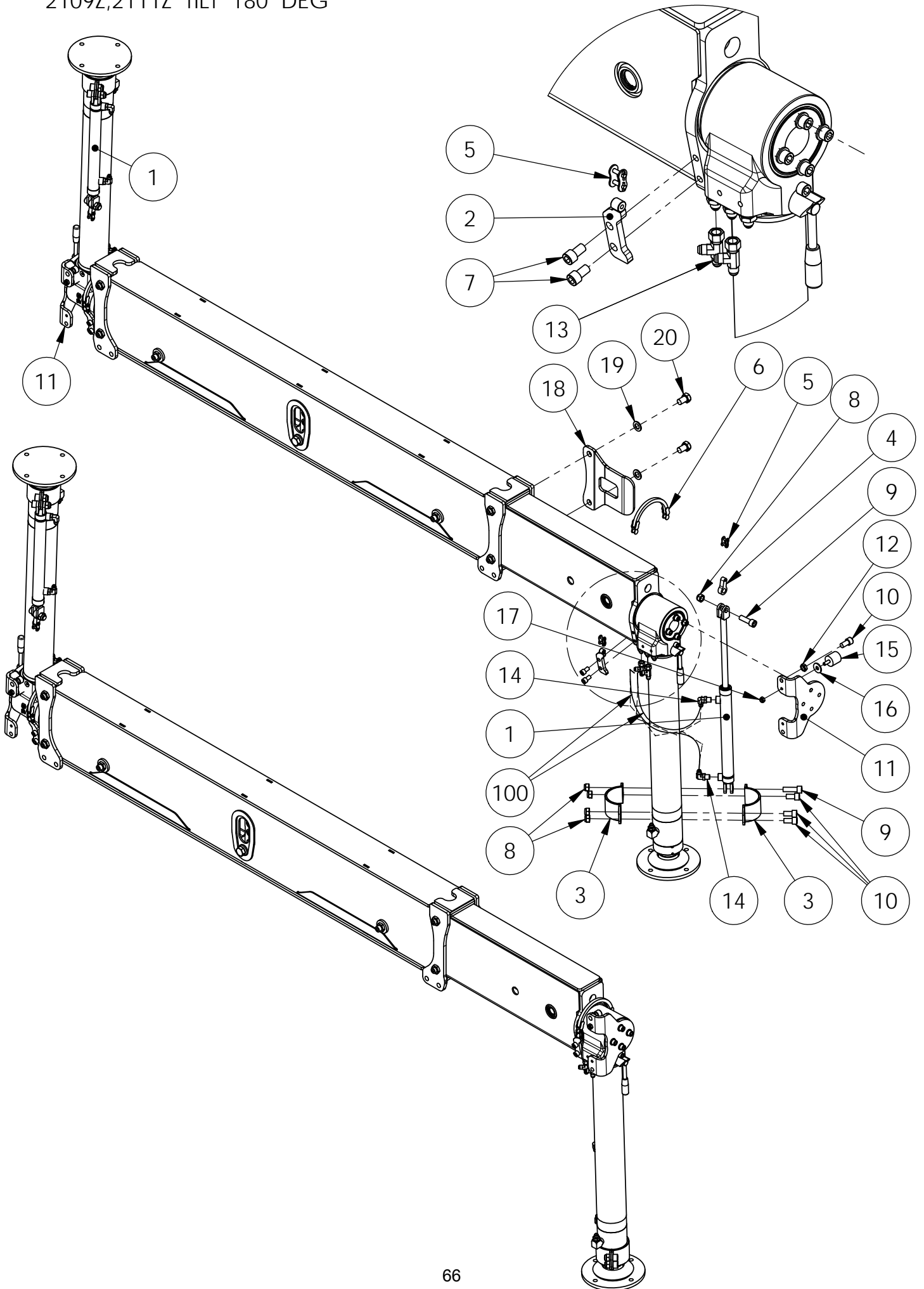


Item code	28862001	Revision	-
Title	CYLINDER	Date	08.06.2011
Specification	50/30X2X600		

Pos	Item code	Title	Specification	Pc	Nto Weight
1	3110013	PISTON SEAL	DAS 50/34X18	2	0.18
2	3110003	O-RING	26.2X3 70 SHORE	2	0.01
3	3110288	O-RING	39.2X5.7 90 SHORE	2	0.03
4	3110030	ROD SEAL	T22 30/40X7.3	2	0.02
5	3110313	WIPER SEAL	GA 30/40X7/10	2	0.03
6	28862101	CYLINDER BARREL	50/30X2X600	1	3.82
7	28337201	PISTON	D=50 DBM	2	0.26
8	28337202	GUIDANCE	50/30	2	0.82
9	28812204	PISTON ROD	50/30X2X600	2	0.65
10	3020026	NUT	M24 ZN DIN 985	2	0.11
11	28357106	RESTRICTOR	R3/8"	1	0.12
12	3110040	SEAL	R-06 R 3/8"	1	0
13	3090296	CONNECTOR (STRAIGHT)	04000-06 EP	1	0.07
14	3120843	VALVE		1	0.13
1-5	3110324	SEAL KIT	50/30	1	

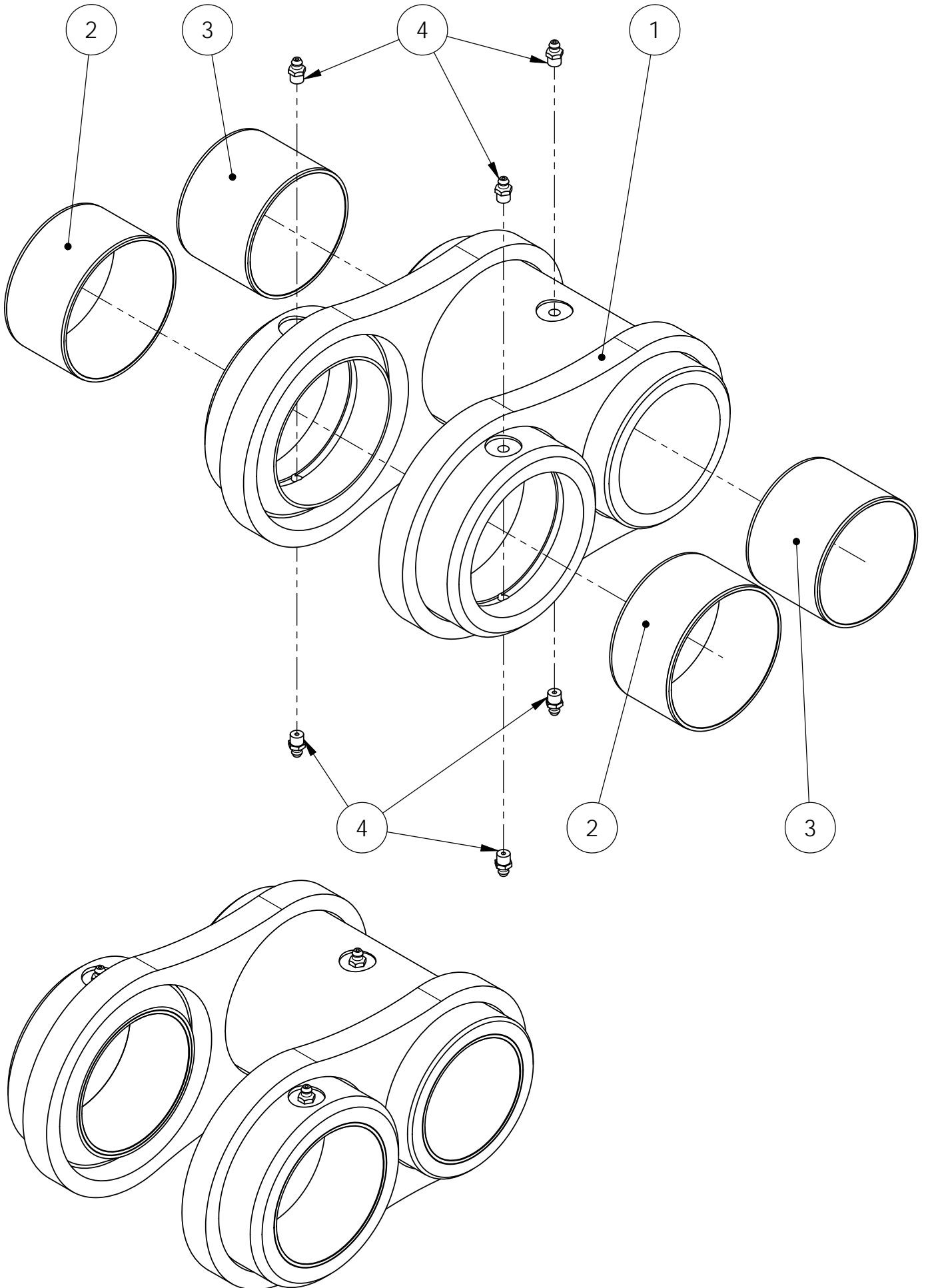
90025615

2109Z,2111Z TILT 180 DEG



Item code	90025615	Revision	B
Title	STABILIZER	Date	25.06.2012
Specification	TILT 180 DEG		

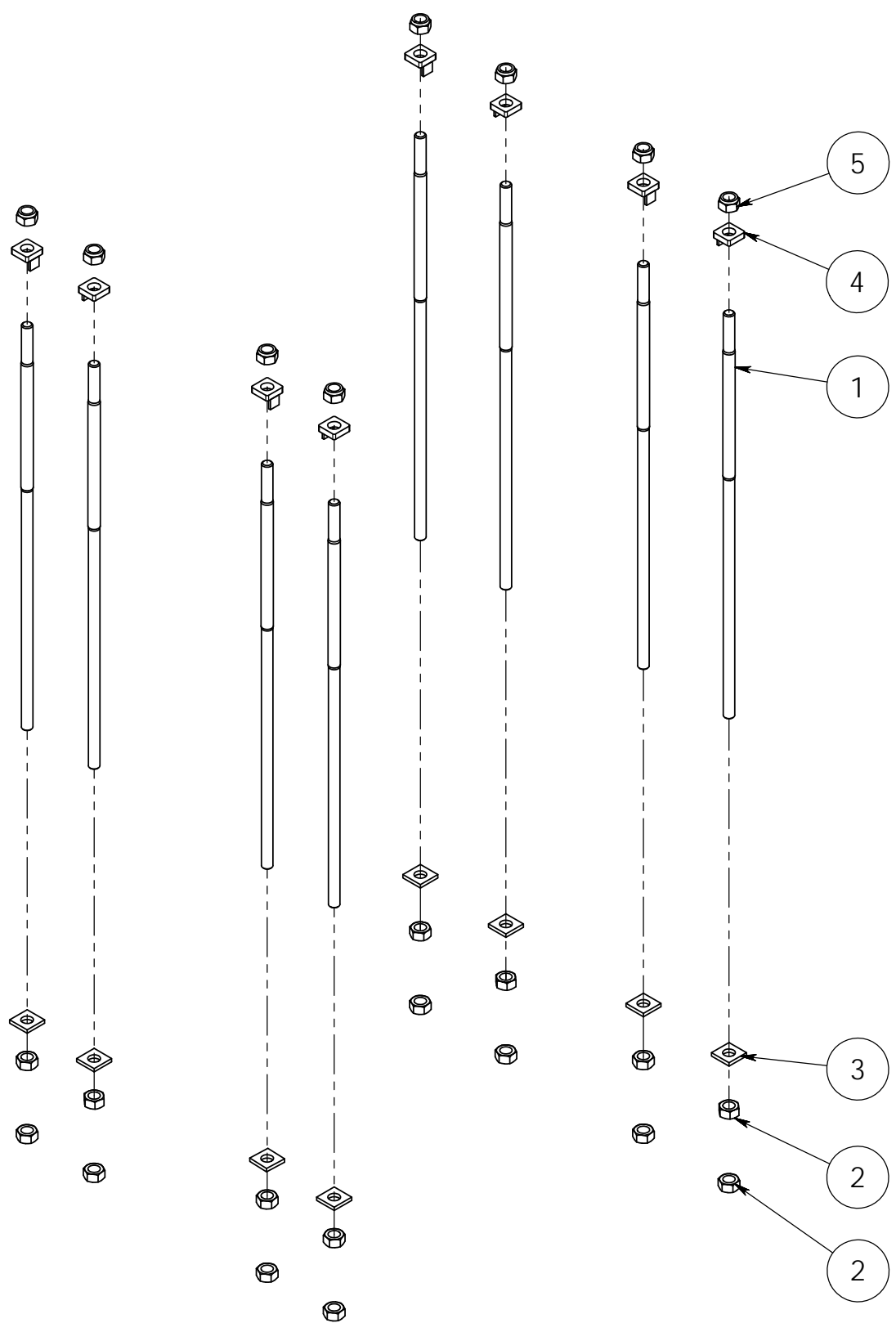
Pos	Item code	Title	Specification	Pc	Nto Weight
1	28700001	CYLINDER	32/20X285	2	3.19
2	90025350	FASTENER		2	0.22
3	90019675	BAND	HITS	4	0.76
4	90025354	FASTENER		2	0.11
5	3190187	JOINT	12 B-1 (R 3/4")	4	0.02
6	3190190	CHAIN	12 B-1 (R/4"), 19 LENKKIÄ (L=362)	2	0.36
7	3010604	ALLEN SCREW	M12X20 8.8 DIN 912	4	0
8	3020010	NUT	M16 ZN DIN 985	10	0.03
9	3010282	ALLEN SCREW	M16X50 8.8 ZN DIN 912	4	0
10	3010700	ALLEN SCREW	M16X30 8.8 ZN DIN 912	8	0
11	90025357	FLANGE		2	2.41
12	3020015	NUT	M16 ZN DIN 936	2	0
13	3091229	CONNECTOR	1230-06-06-06	4	0.08
14	3091358	CONNECTOR	6310-06-06	4	0.09
15	3301887	DAMPER	40/40XM10 NR55 (509187,SIMRIT)	2	0.06
16	3030105	WASHER	M12 ZN DIN 9021	2	0.02
17	3020004	NUT	M10 ZN DIN 985	2	0.01
18	90026497	SUPPORT		2	2.83
19	3030055	WASHER	M20 ZN DIN 125	4	0.02
20	3010999	HEW SCREW	M20X30 8.8 ZN DIN 933	4	0
100	3133117	HYDRAULIC HOSE	A50005-06-06/241T-06/A50054-06-06/L=670 TEX	4	



Item code	90024300	Revision	-
Title	DRAW BAR	Date	25.01.2011
Specification	VAR		

Pos	Item code	Title	Specification	Pc	Nto Weight
1	90024297	LINK	HITS+KON	1	11.39
2	3100380	BEARING	WB 802 9050	2	0.28
3	3100226	BEARING	WB 802 8060	2	0.3
4	3050003	GREASE NIPPLE	M8X1,25 DIN 71412	6	0

90024053
FASTENING KIT L = 1200



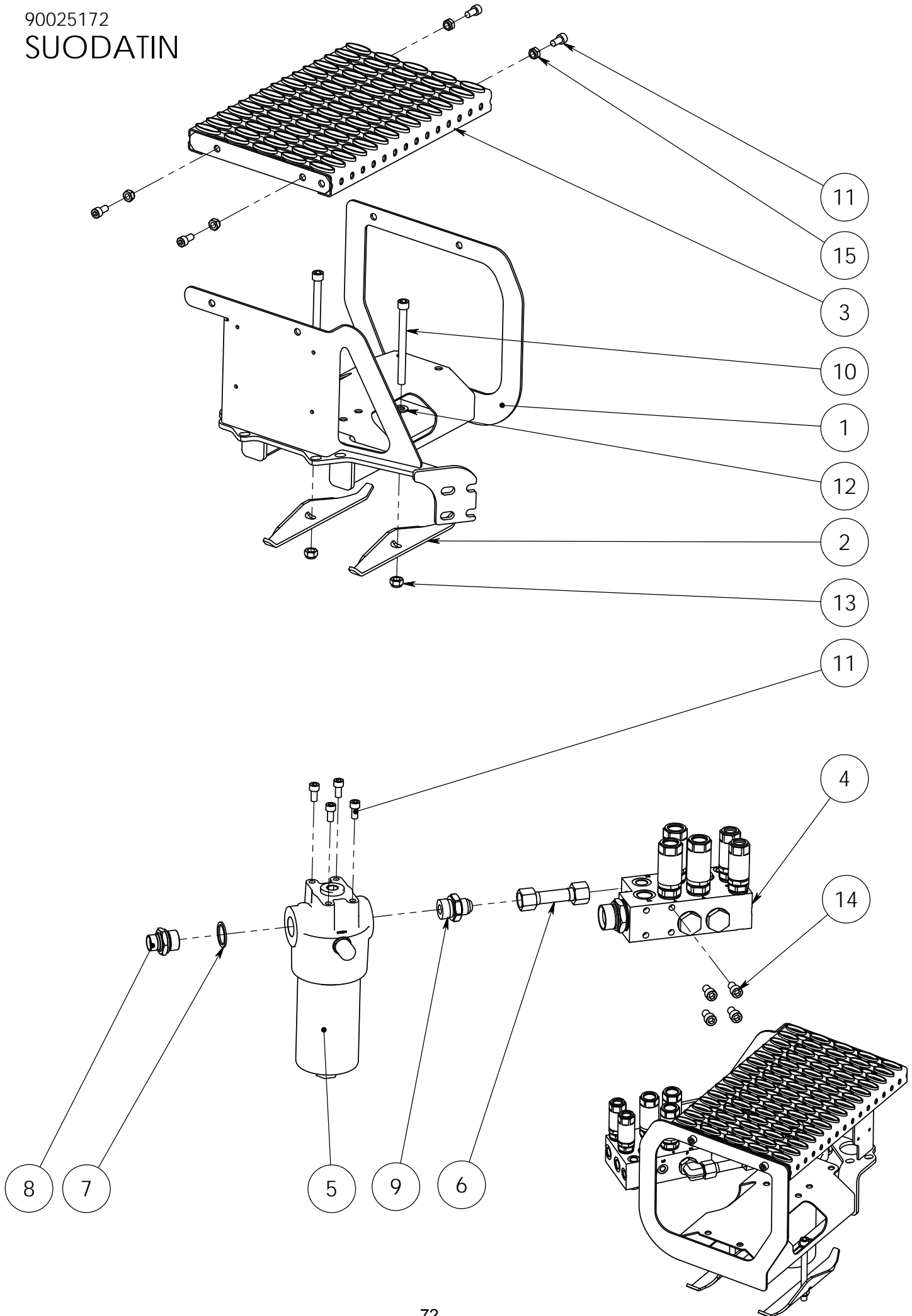
MOMENT 1200Nm (122 kpm)

Item code	90024053	Revision	A
Title	FASTENING KIT	Date	15.11.2010
Specification	L=1200		

Pos	Item code	Title	Specification	Pc	Nto Weight
1	90024052	SCREW	M30X2-1200	8	6.06
2	3020170	NUT	M30X2 ZN DIN 934	16	0
3	90014010	WASHER	60X60/31-10	8	0.22
4	90013054	WASHER	M30-16	8	0.28
5	3020041	NUT	M30X2 ZN DIN 985	8	0.24

90025172

SUODATIN



Item code	90025172	Revision	-
Title	FILTER	Date	12.12.2011
Specification	RIGHT		

Pos	Item code	Title	Specification	Pc	Nto Weight
1	90024351	RACK	RIGHT	1	9.33
2	90021522	FLAT BAR		2	0.42
3	90021971	PLANE		1	3.49
4	90025174	BLOCK	RIGHT	1	13.36
5	3091286	PRESSURE FILTER		1	24.96
6	90024368	HYDRAULIC PIPE		1	0.27
7	3110173	SEAL	R-16 R 1"	1	0.01
8	3090364	CONNECTOR (STRAIGHT)	04000-12-16	1	0.21
9	3091118	CONNECTOR	6010-16-12	1	0.26
10	3010854	ALLEN SCREW	M12X140 12.9 DIN 912	2	0
11	3010192	ALLEN SCREW	M10X20 8.8 ZN DIN 912	8	0
12	3030096	WASHER	M12 ZN DIN 125	2	0.01
13	3020005	NUT	M12 ZN DIN 985	2	0.02
14	3010604	ALLEN SCREW	M12X20 8.8 DIN 912	4	0
15	3020004	NUT	M10 ZN DIN 985	4	0.01

